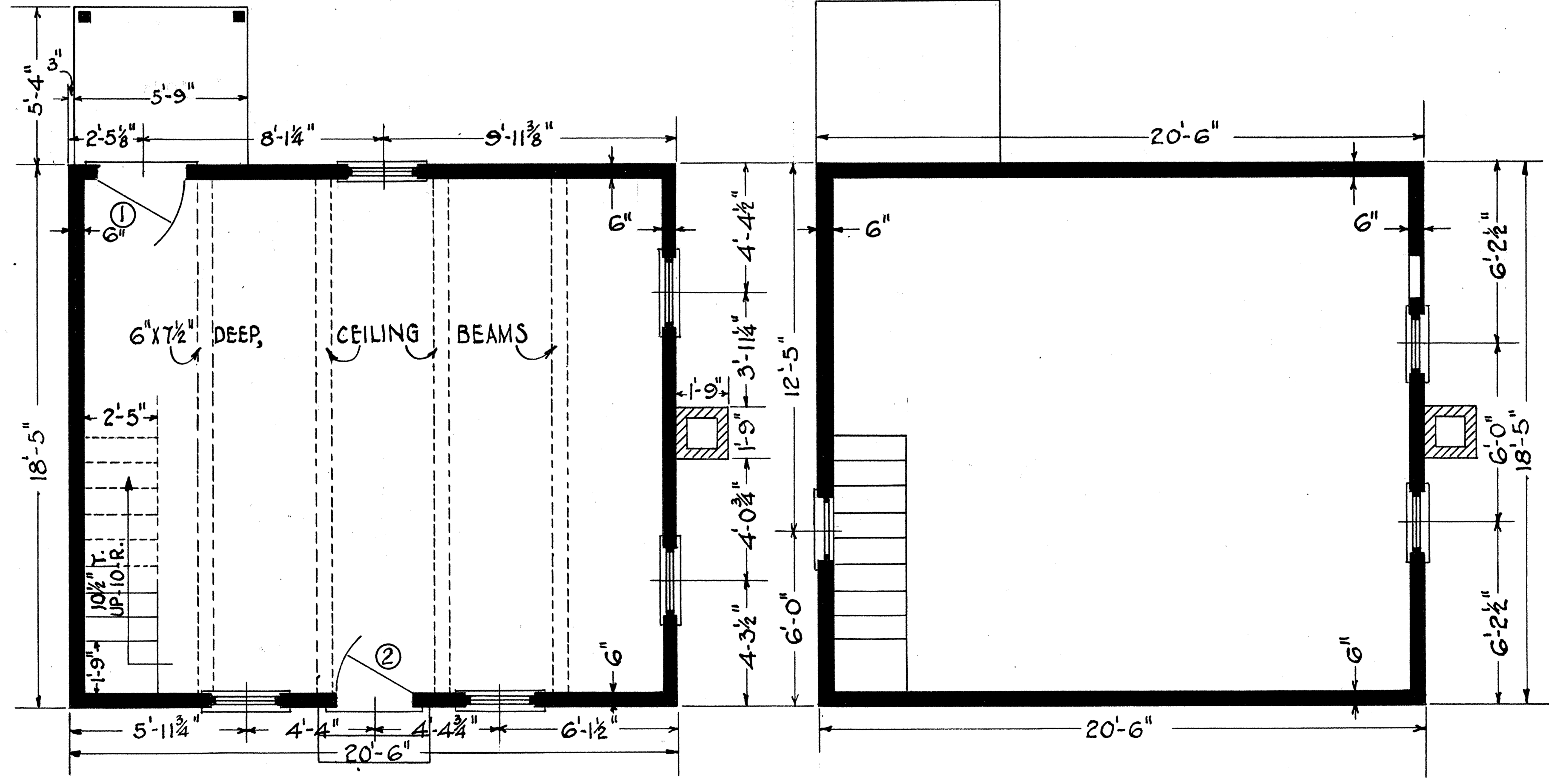


SOUTH ELEVATION
SCALE # 2

EAST ELEVATION
SCALE # 2

PART SECTION

LEGEND
 WOOD
 BRICK

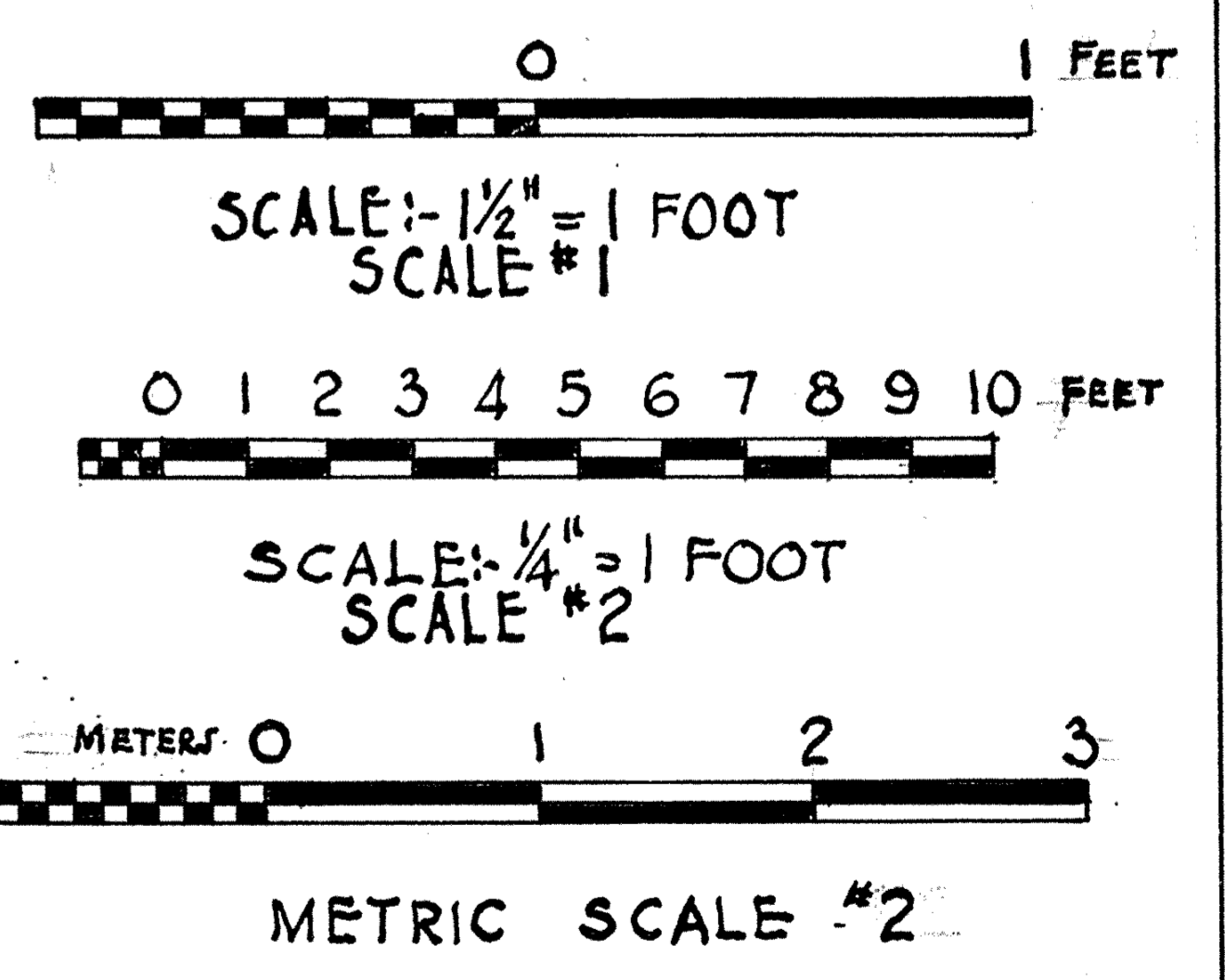


FIRST FLOOR PLAN
SCALE # 2

SECOND FLOOR PLAN
SCALE # 2

Note That windows and doors are replacements:

DOOR SCHEDULE
 ① = 5'-10" x 2'-10 3/4" x 1 5/8" - 6 PANELS
 ② = 5'-10" x 2'-5 3/4" x 1 1/4" - 6 PANELS



A. S. Masley, 1945.
 L. G. WANDS, DEL. NOV. 1940
 NEW YORK STATE MUSEUM
 HISTORIC COLLECTION

*First Building erected by the South Family
 and later made over as a Friends Cottage*

NAME OF STRUCTURE AND LOCATION
SOUTH FAMILY OF WATERVLIET SHAKERS

BUILDING NO. 1

TOWN OF COLONIE

ALBANY COUNTY N.Y.

HISTORIC BUILDINGS SURVEY
 SHEET 1 OF 2 SHEETS

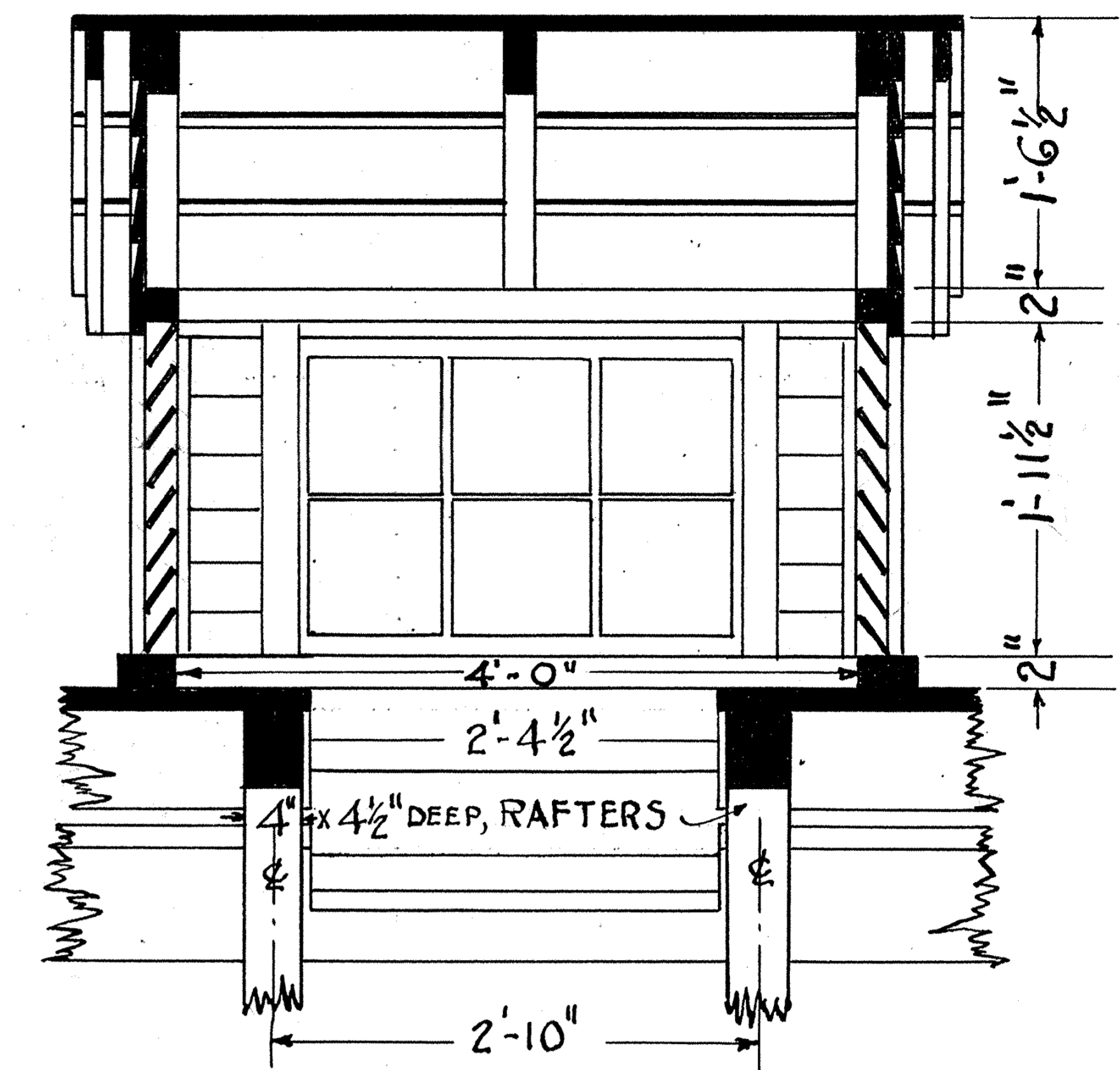
NY. 3258

HISTORIC COLLECTION NO.

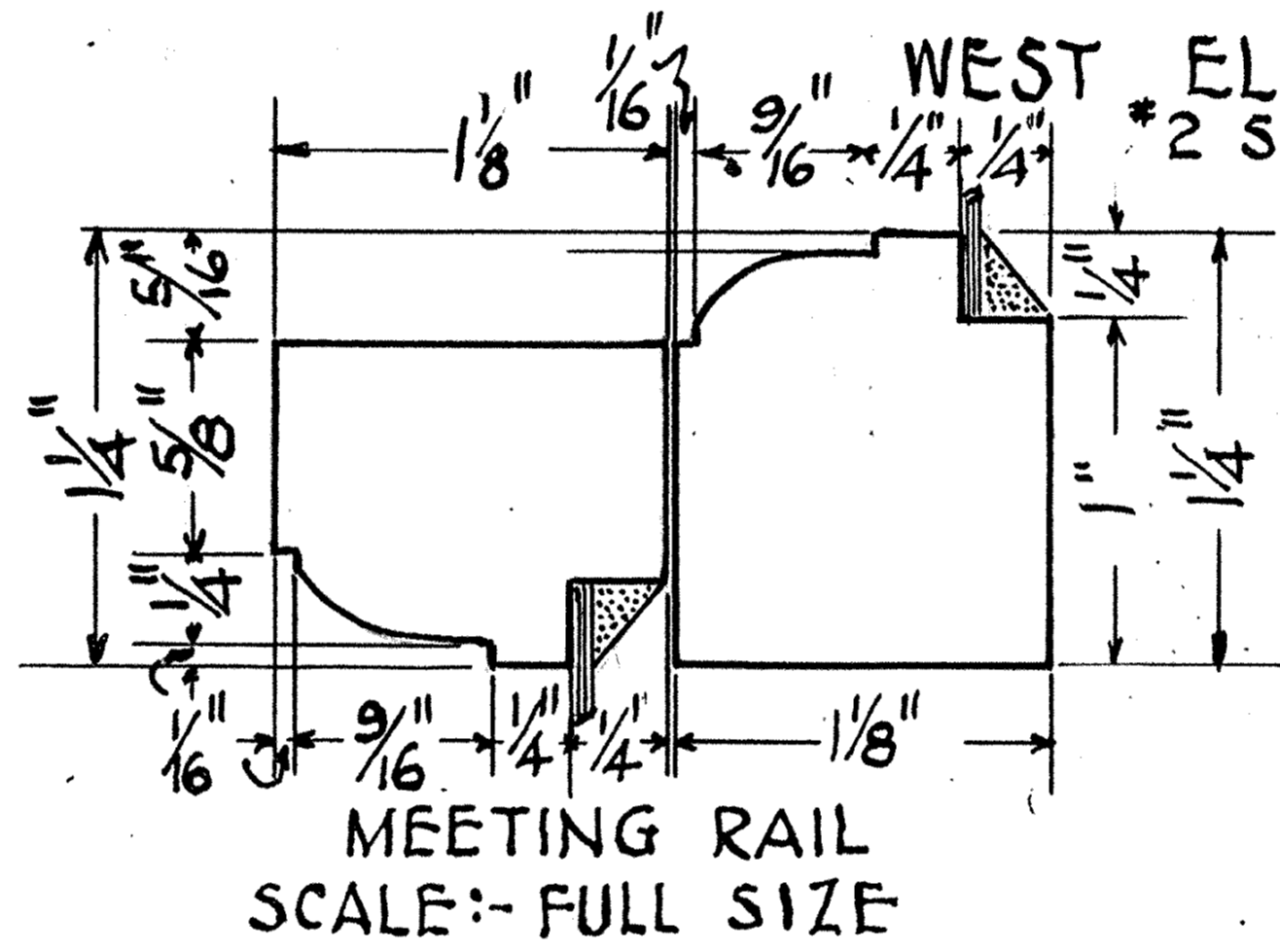


NORTH ELEVATION
#2 SCALE

WEST ELEVATION
#2 SCALE

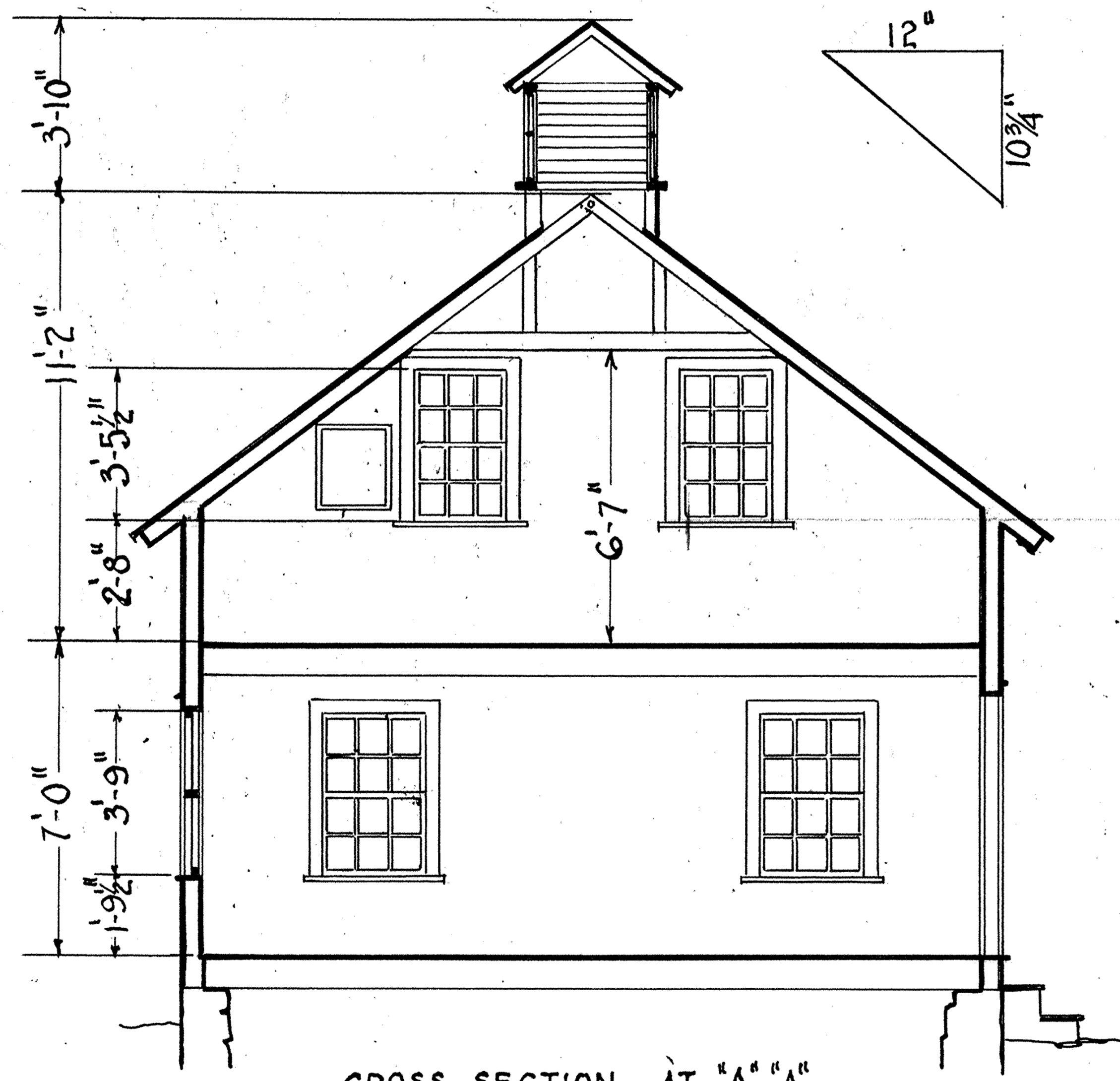


CUPOLA DETAIL
#1 SCALE

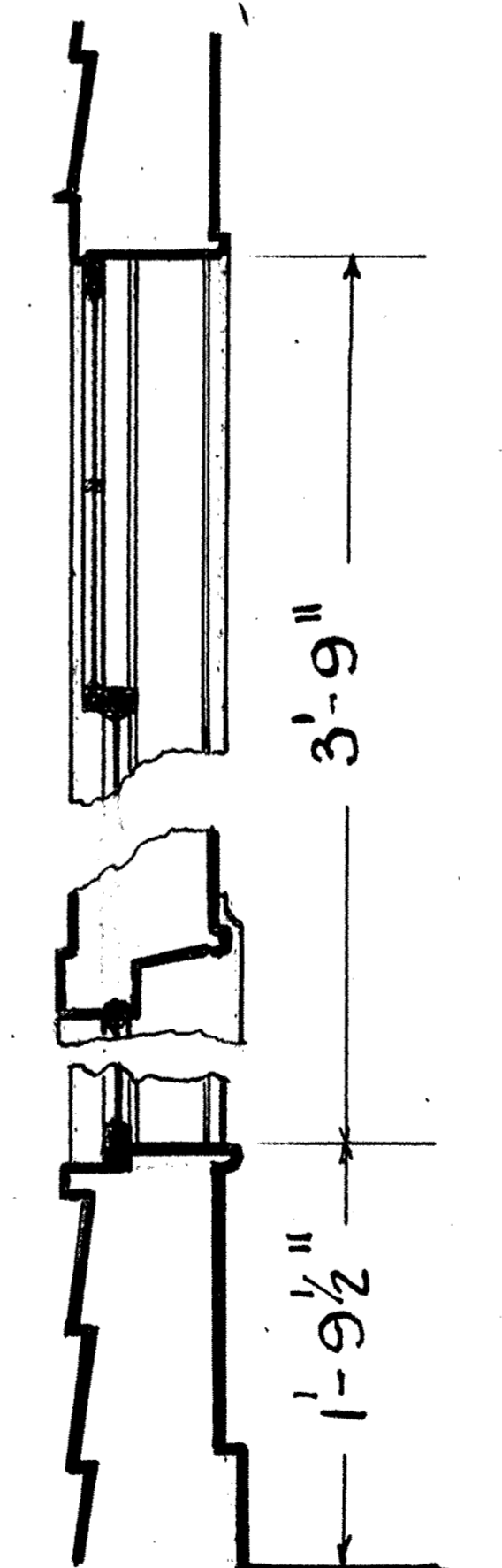


NOTE:-
TOP RAIL = 1 3/4"
BOTTOM " = 1 3/4"
STILES = 1 3/4"

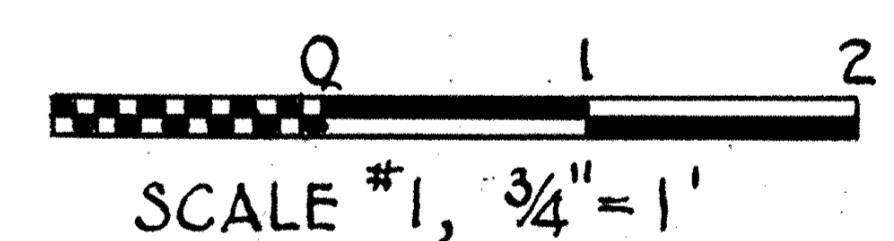
MEETING RAIL
SCALE:- FULL SIZE



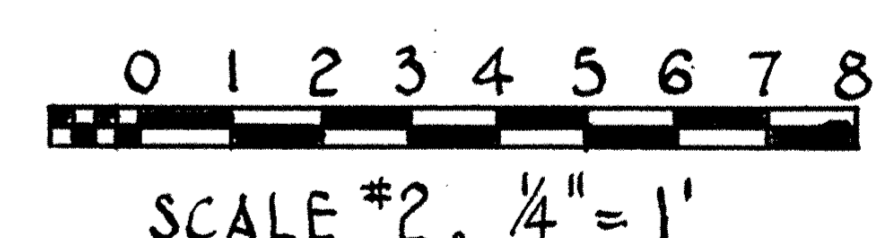
CROSS SECTION AT "A"-A"
#2 SCALE



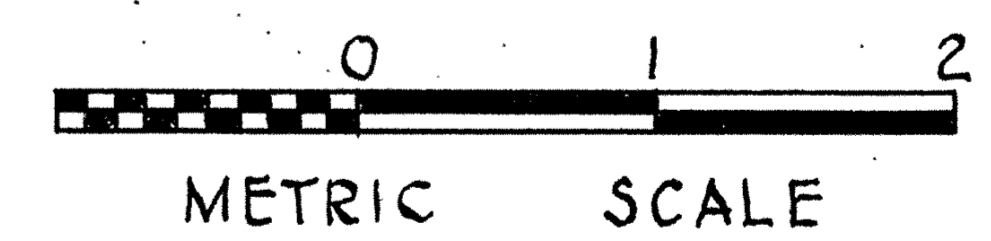
WINDOW SECTION
#1 SCALE



SCALE #1, 3/4" = 1'



SCALE #2, 1/4" = 1'



METRIC SCALE

L.G. WANDS, DEL. NOV. 1940
NEW YORK STATE MUSEUM
HISTORIC COLLECTION

BUILDING NO. 1

NAME OF STRUCTURE AND LOCATION
SOUTH FAMILY OF WATERLIET SHAKERS
TOWN OF COLONIE ALBANY COUNTY N.Y.

HISTORIC BUILDINGS SURVEY
SHEET 2 OF 2 SHEETS
NY- 3258

HISTORIC COLLECTION NO.