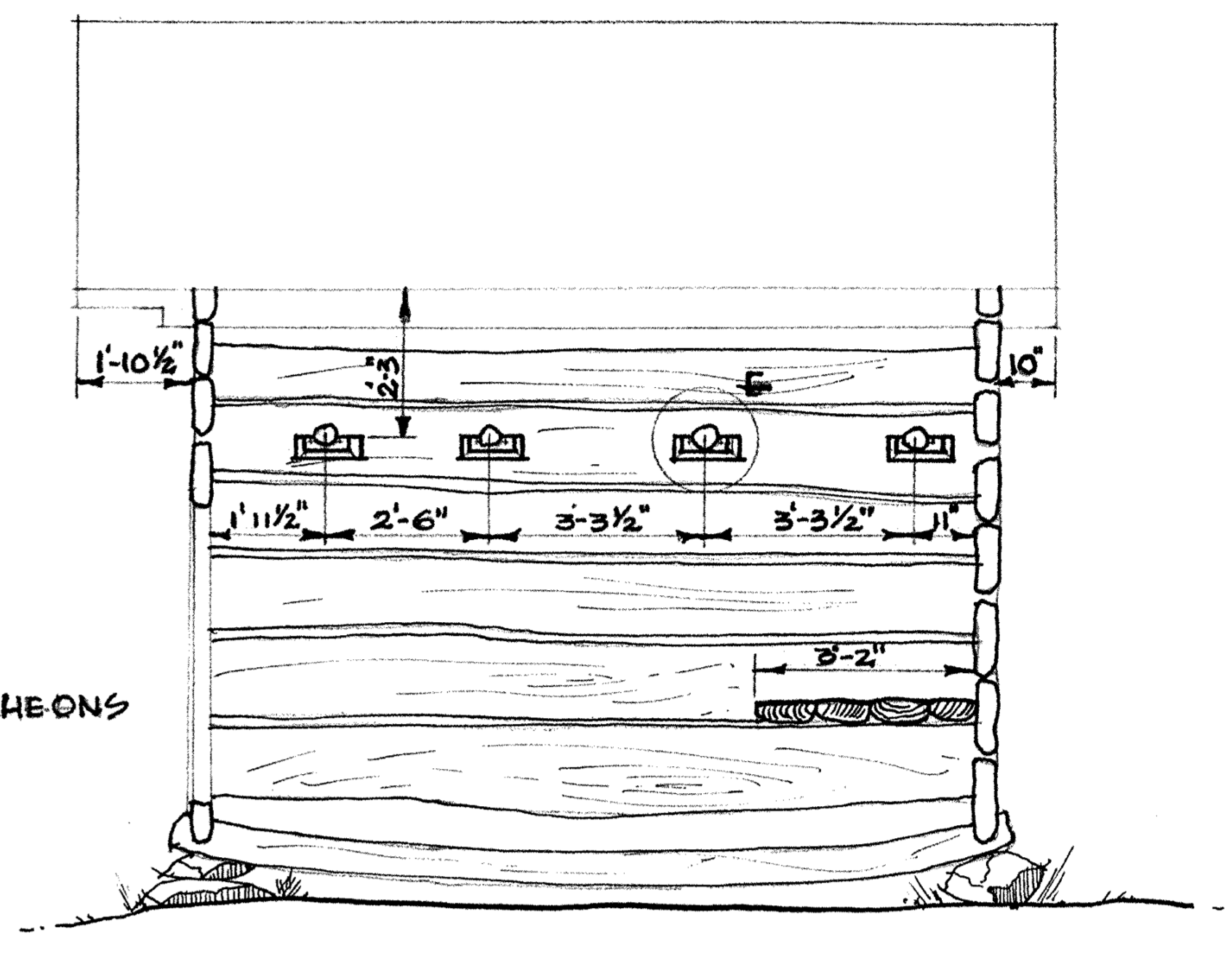
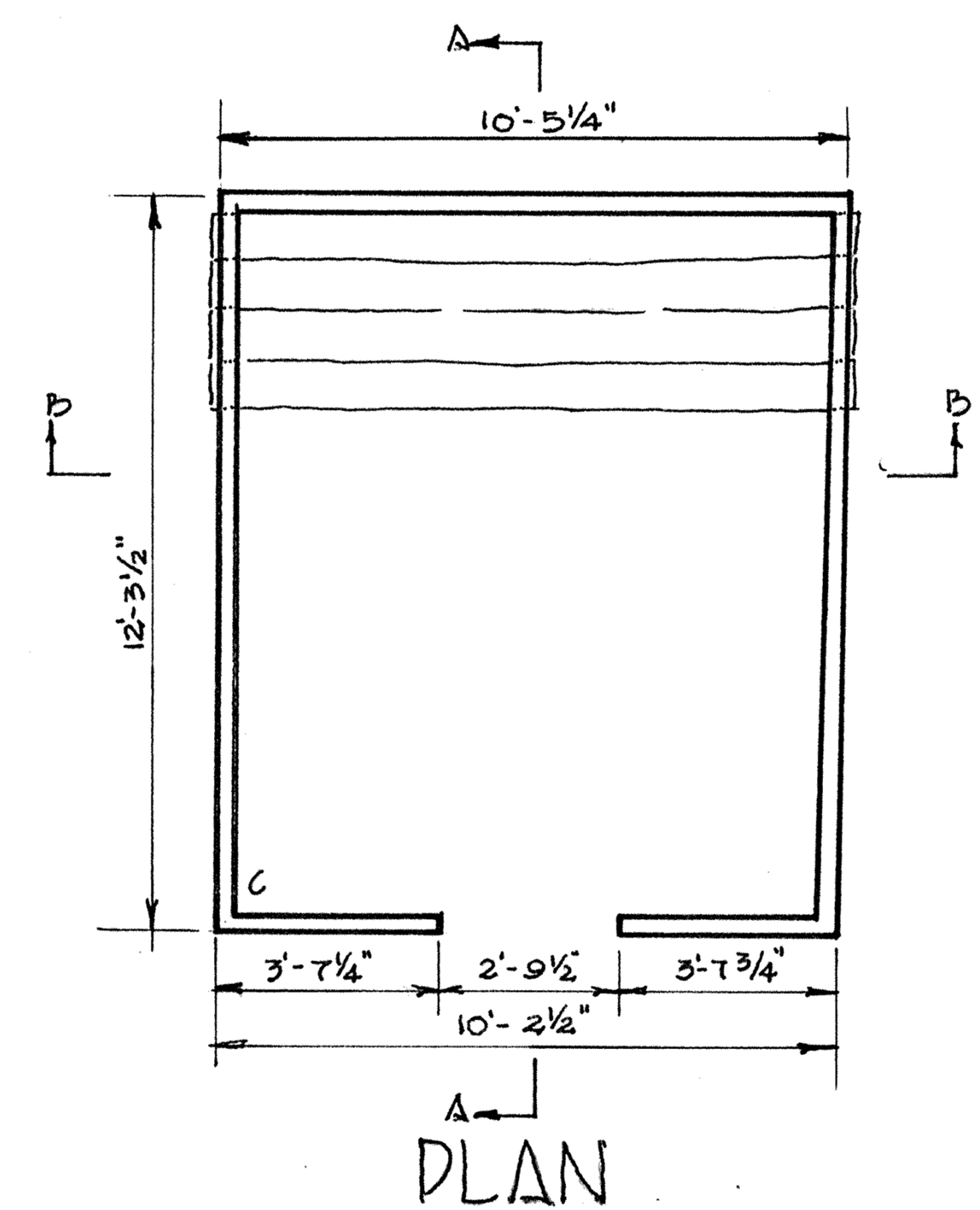
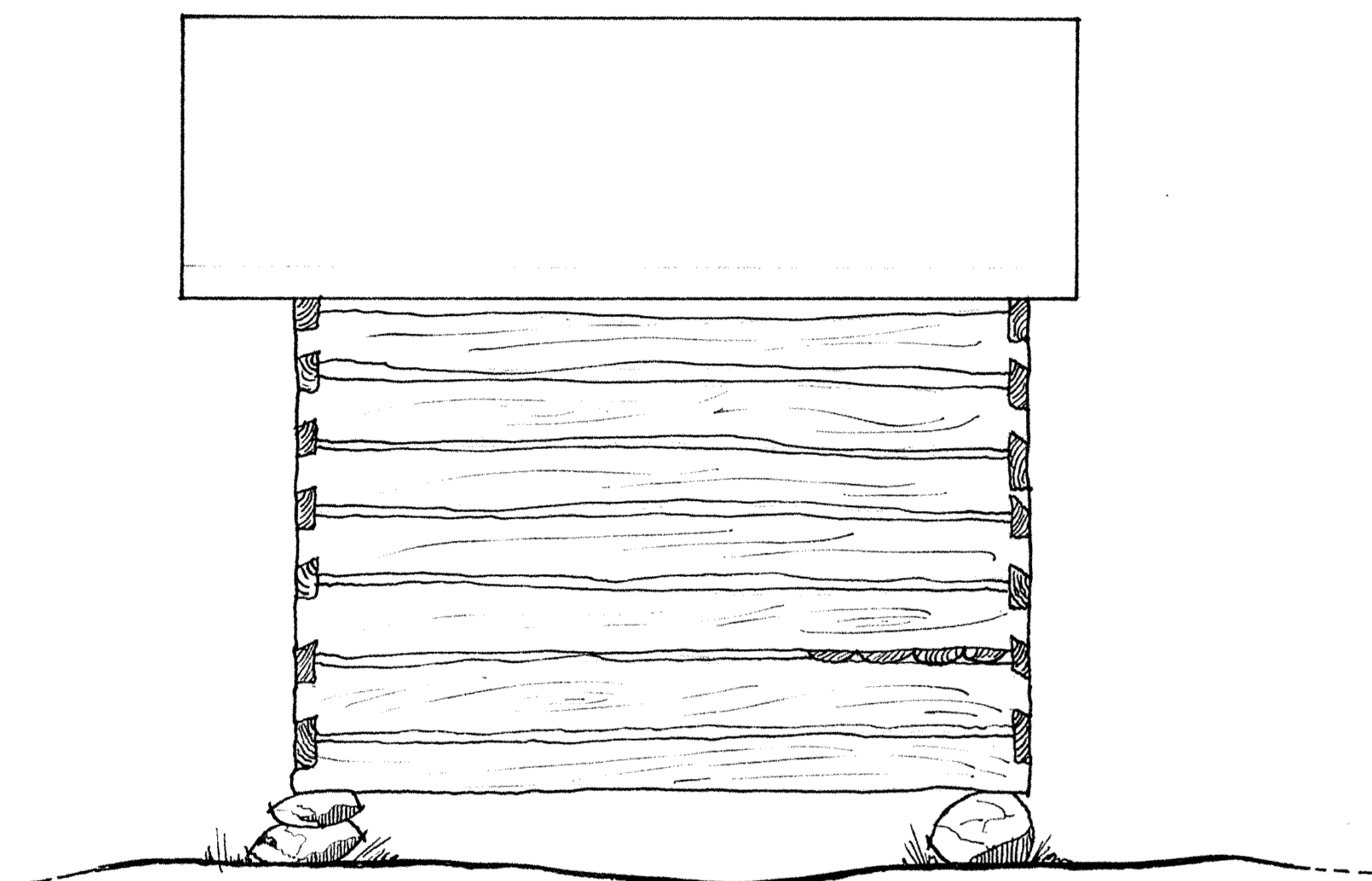


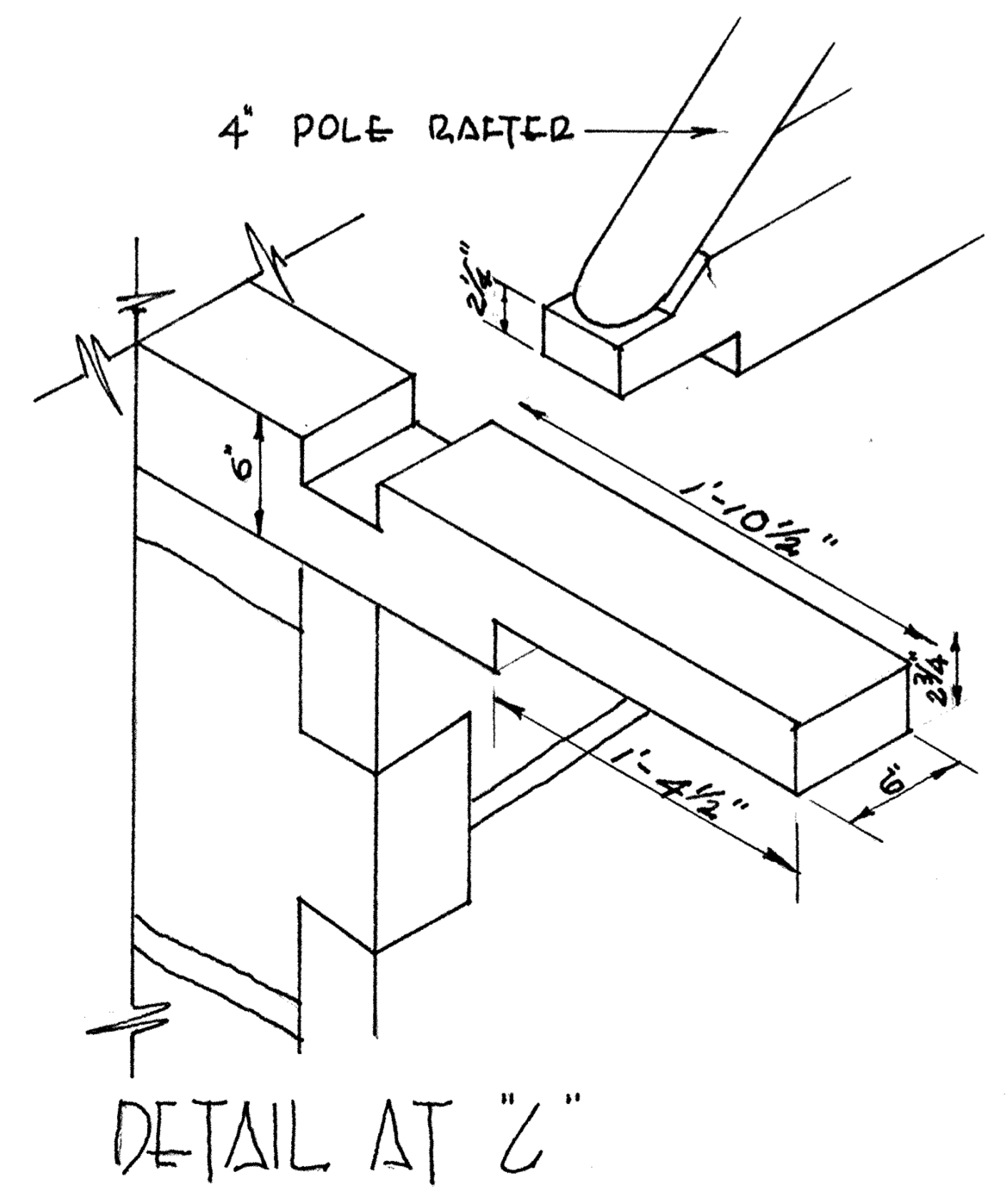
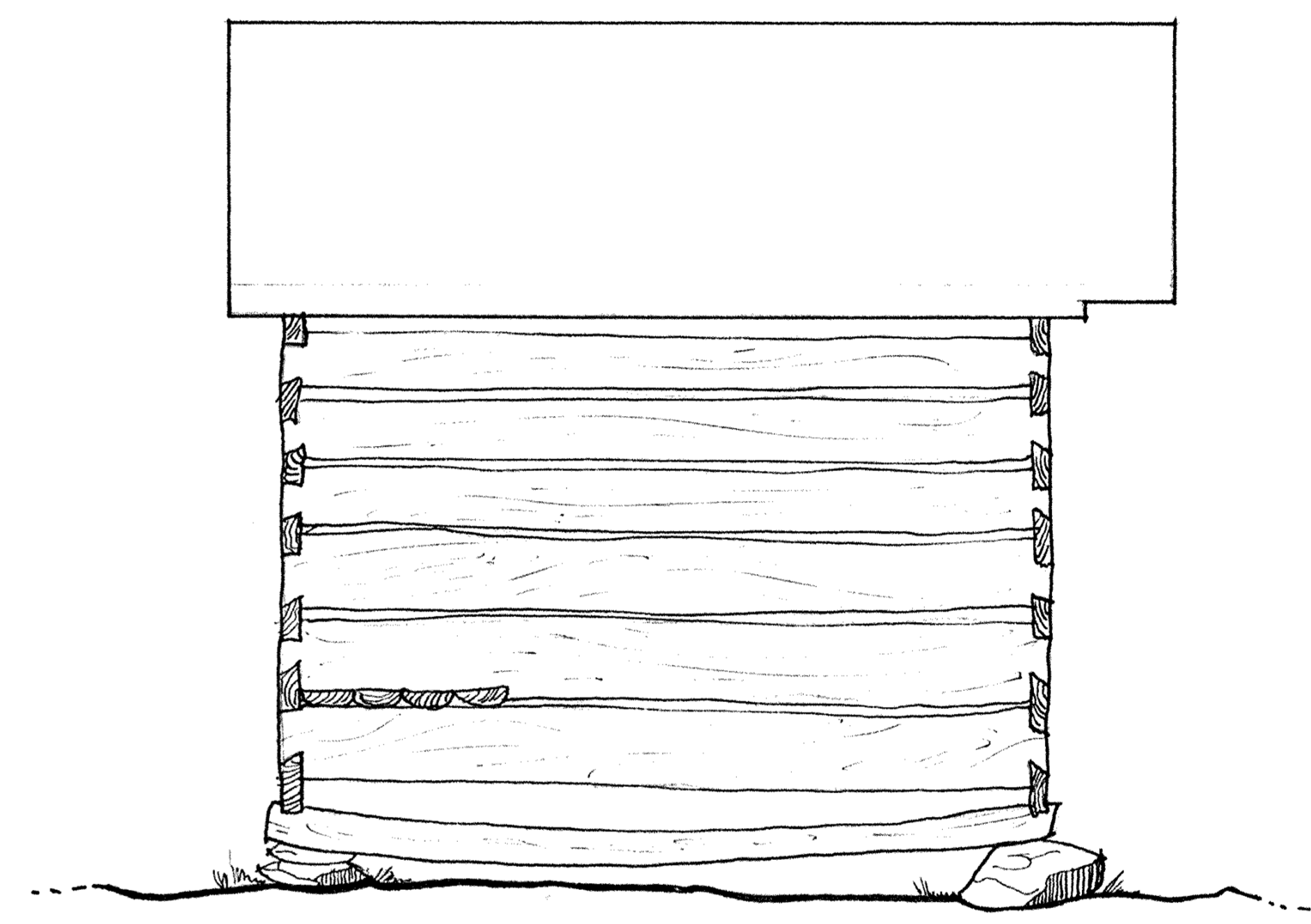
SECTION B-B



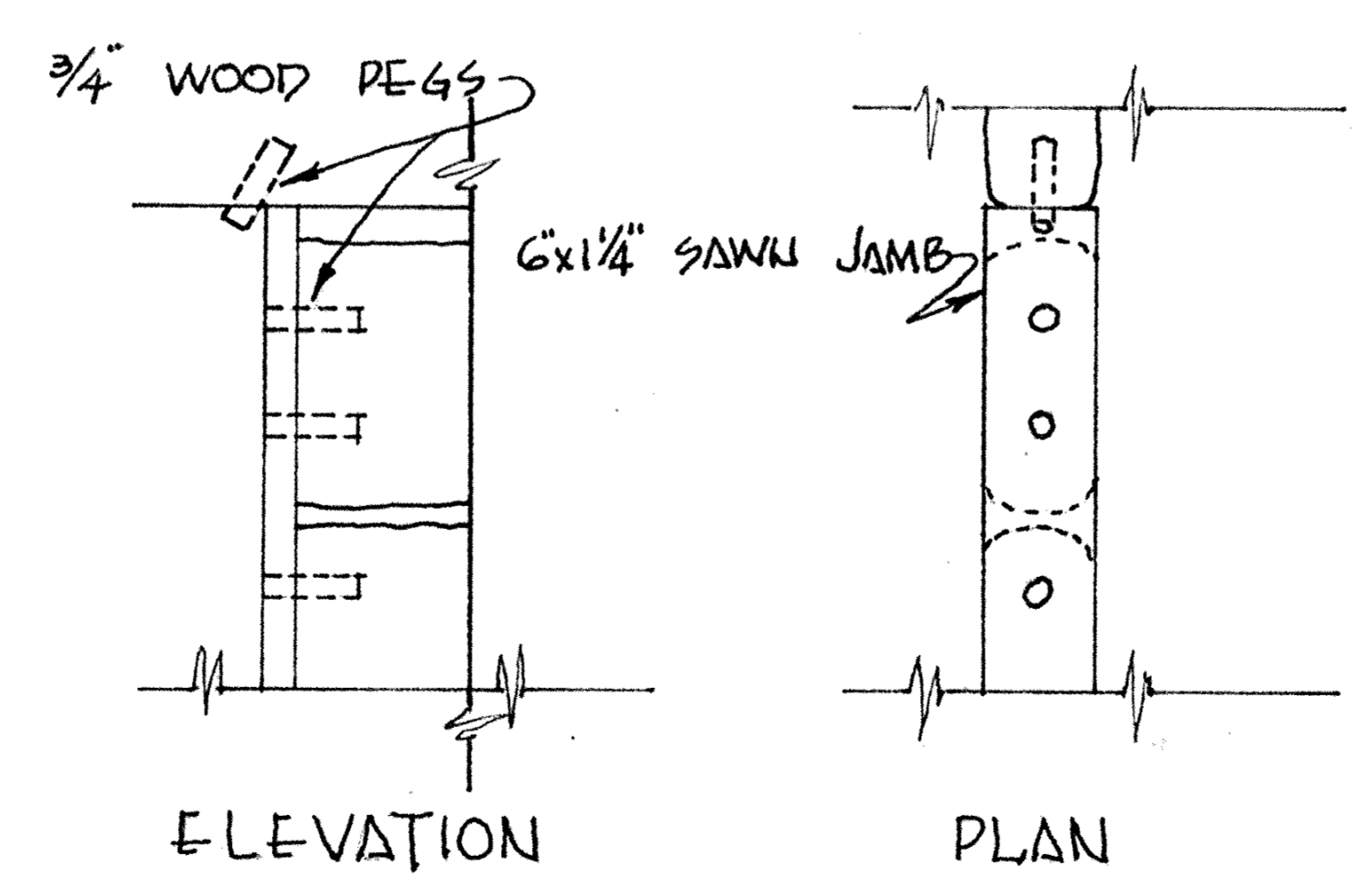
SECTION A-A



PLAN



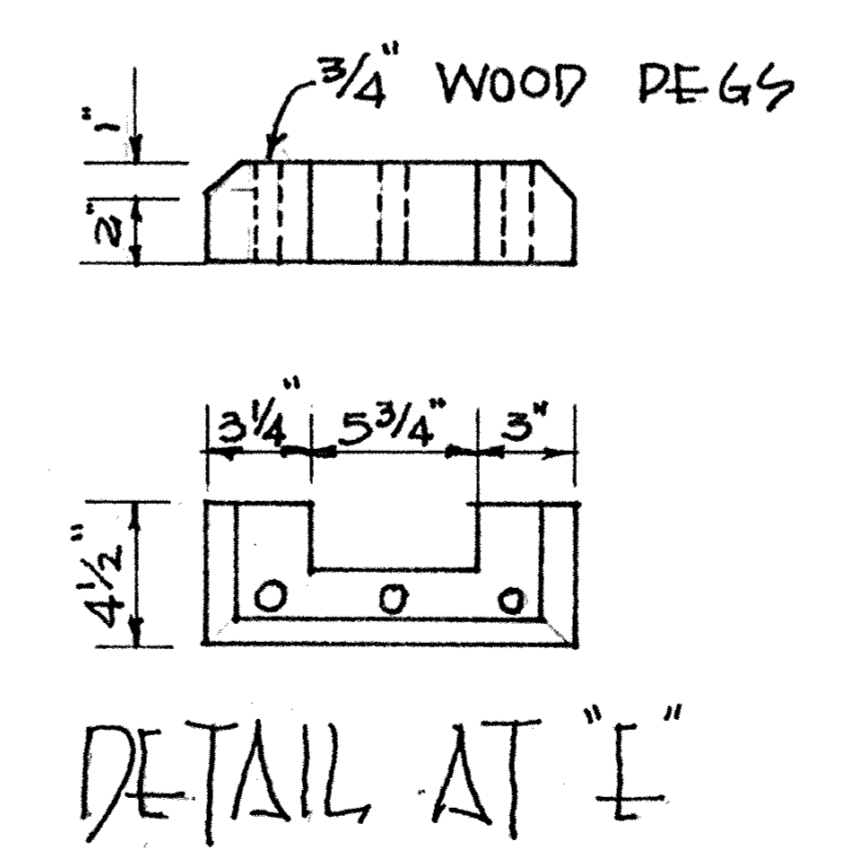
DETAIL AT 'C'



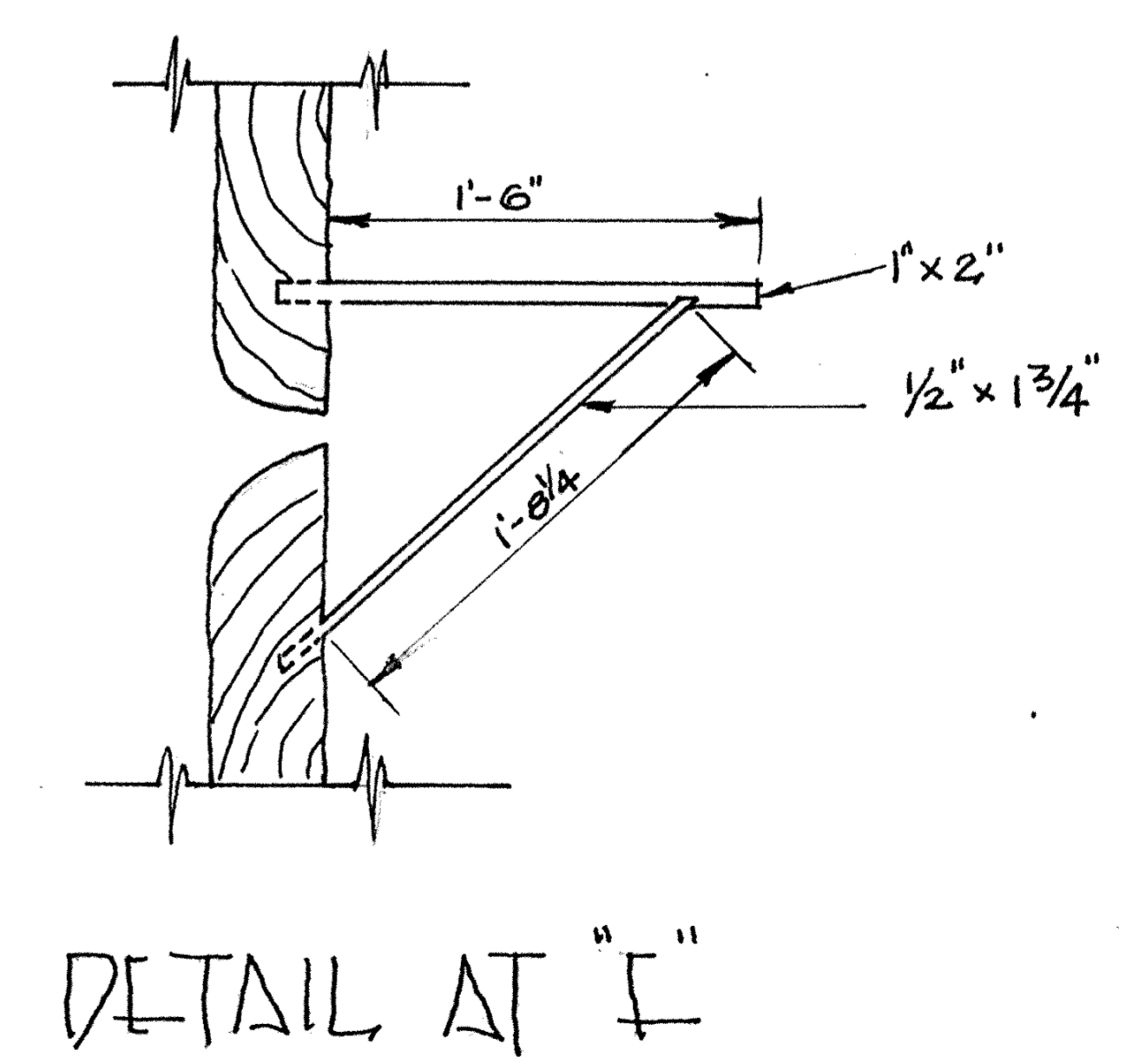
ELEVATION

PLAN

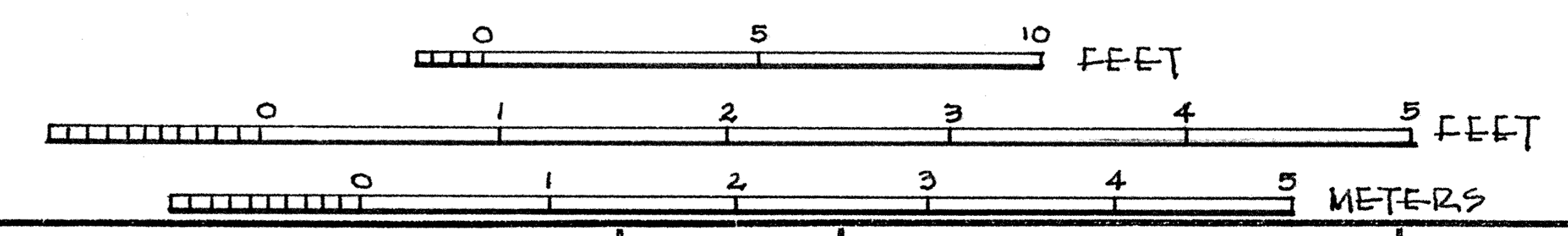
DETAIL AT 'D'



DETAIL AT 'E'



DETAIL AT 'F'



DUE TO INSUFFICIENT INFORMATION AT THE TIME OF EDITING, THIS MATERIAL MAY NOT CONFORM TO HABS OR HAER STANDARDS.

CHARLES S. GROSSMAN DEL.

U.S. DEPARTMENT OF THE INTERIOR
OFFICE OF NATIONAL PARKS, BUILDINGS, AND RESERVATIONS
BRANCH OF PLANS AND DESIGN

NAME OF STRUCTURE
JIM CONRAD SMOKEHOUSE
SWAN COUNTY NORTH CAROLINA
(PIONEER FARMSTEAD MEAT HOUSE)
CHEROKEE VICINITY GREAT SMOKY MTS. NATIONAL PARK

SURVEY NO.
NC
202

HISTORIC AMERICAN
BUILDINGS SURVEY
SHEET 1 OF 1 SHEETS

INDEX NO.