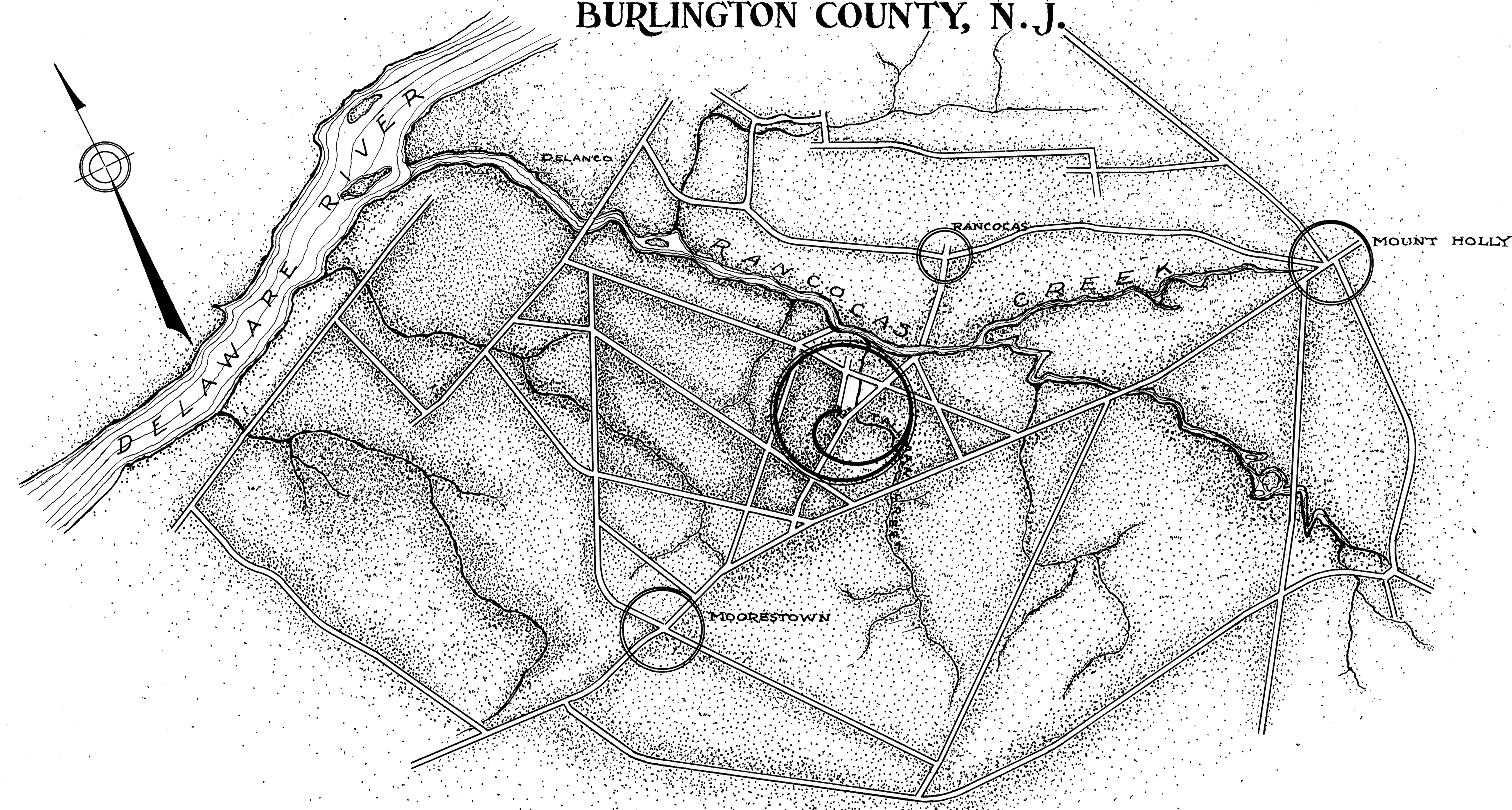


# THE TALLMAN SMOKEHOUSE.

LONG CROSSING ROAD, MOORESTOWN TOWNSHIP,  
BURLINGTON COUNTY, N. J.

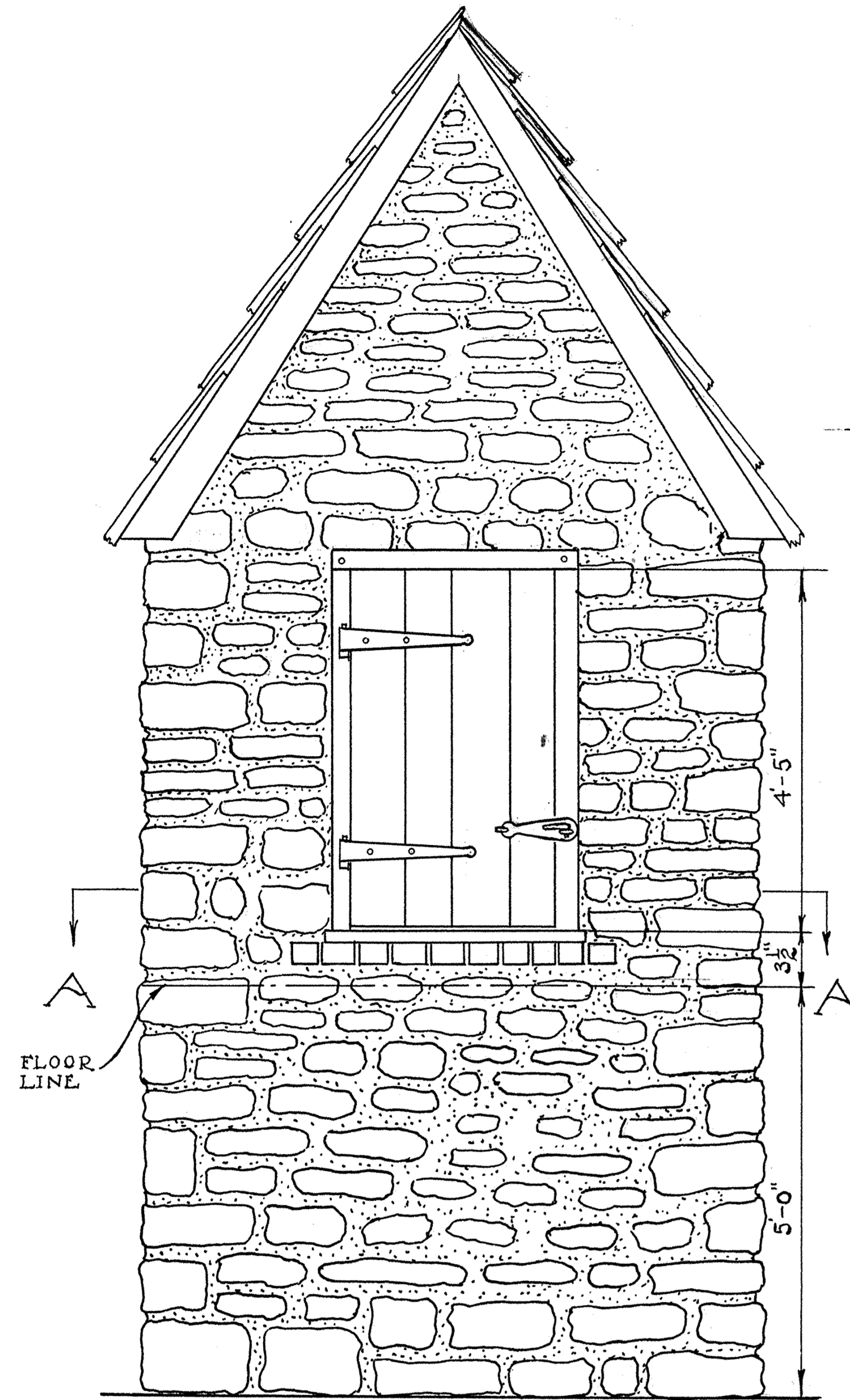


ERECTED BY  
THOMAS AND HANNAH TALLMAN  
1757.

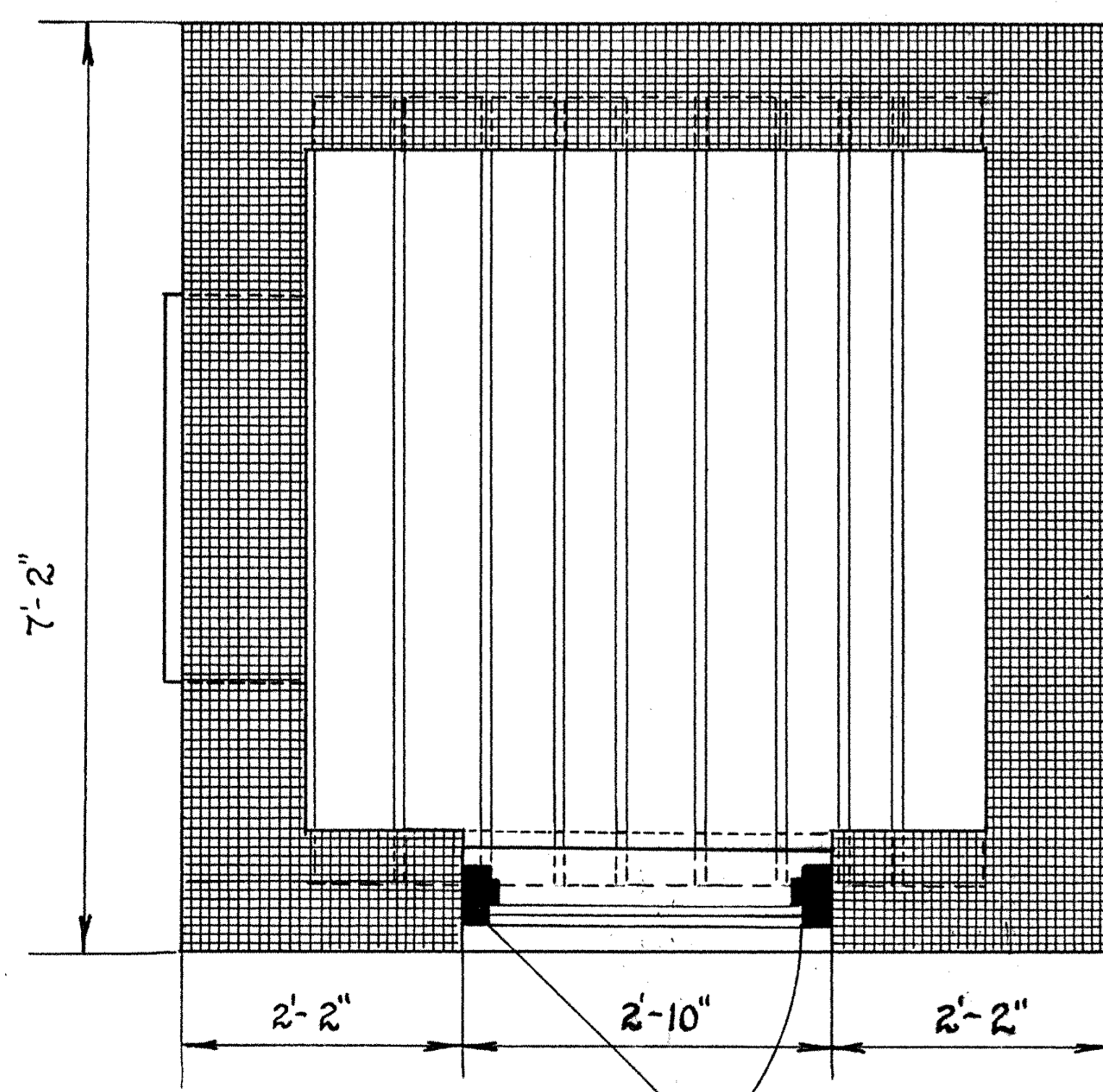
HISTORIC AMERICAN BUILDINGS SURVEY U.S. DEPARTMENT OF THE INTERIOR NATIONAL PARK SERVICE BRANCH OF PLANS AND DESIGN	MEASURED: MAY 28, TO JUNE 3, 1935.		DRAWINGS APPROVED: <i>Seymour Williams</i>	DISTRICT OFFICER.	SEYMOUR WILLIAMS - STATEWIDE DIRECTOR RAHWAY, N. J. HERBERT N. MOFFETT, BURLINGTON CO. SUPV. MT. HOLLY, N. J. FIELD PARTY R.H. GAMBLE      E.L. HOUSER	SURVEY NO.  <b>6-137</b> 1 SHEET	INDEX NO. N. J. 3-MORTO.V 4A-
	DRAWN: MAY 29 TO JUNE 3, 1935.		DRAWINGS APPROVED: <i>Franklin D. Smith</i>	CHIEF ARCHITECT.			
	MEASUREMENTS CHECKED: H. N. M.		ACCEPTED FOR LIBRARY OF CONGRESS: <i>Seymour Williams</i>				



DATE STONE ON FARM HOUSE - NOW ABANDONED  
 INITIALS ARE OF THE ORIGINAL OCCUPANTS  
 THOMAS & HANNAH TALLMAN

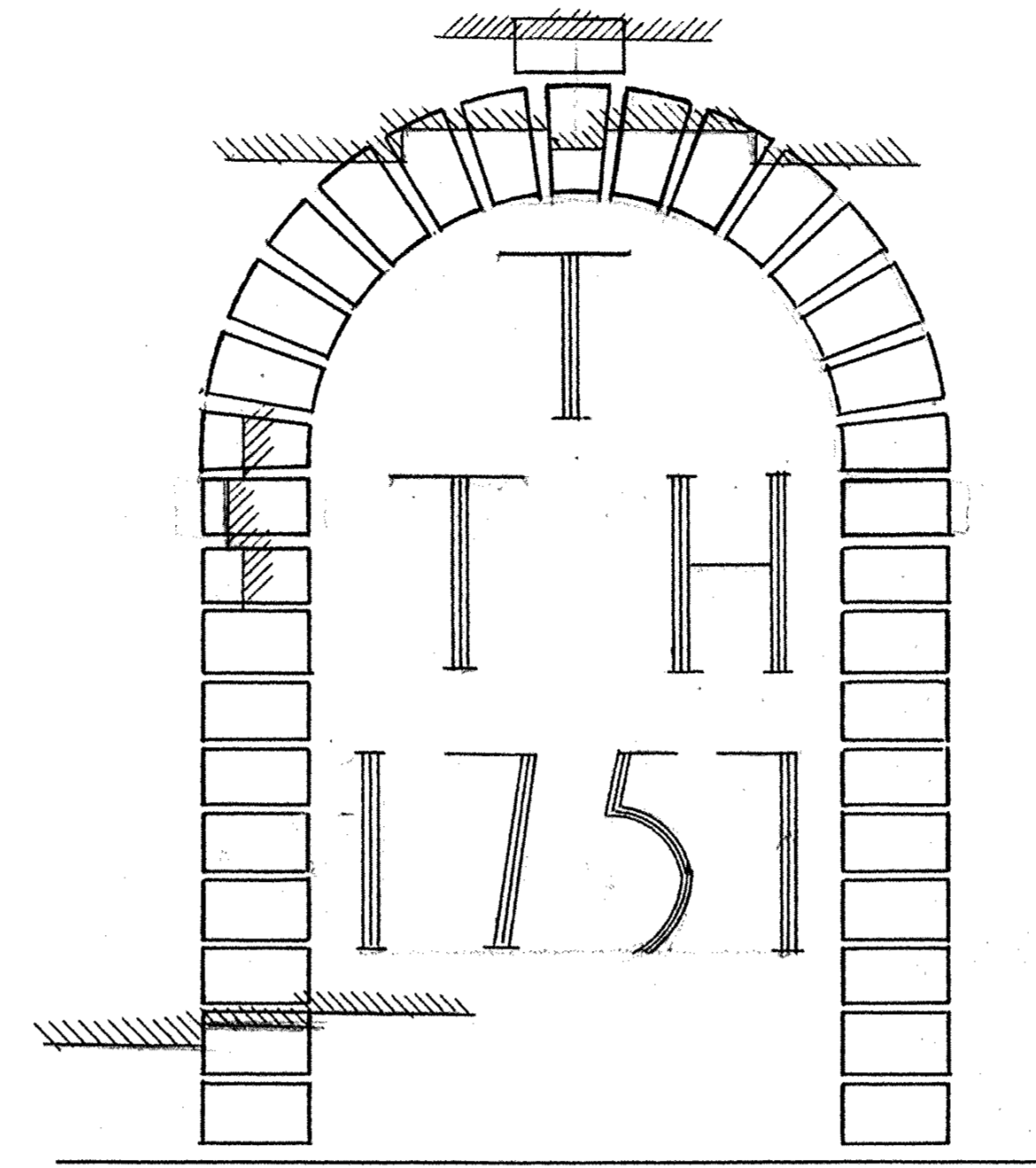


NORTH EAST ELEVATION  
 $\frac{1}{2}$ " TO 1"

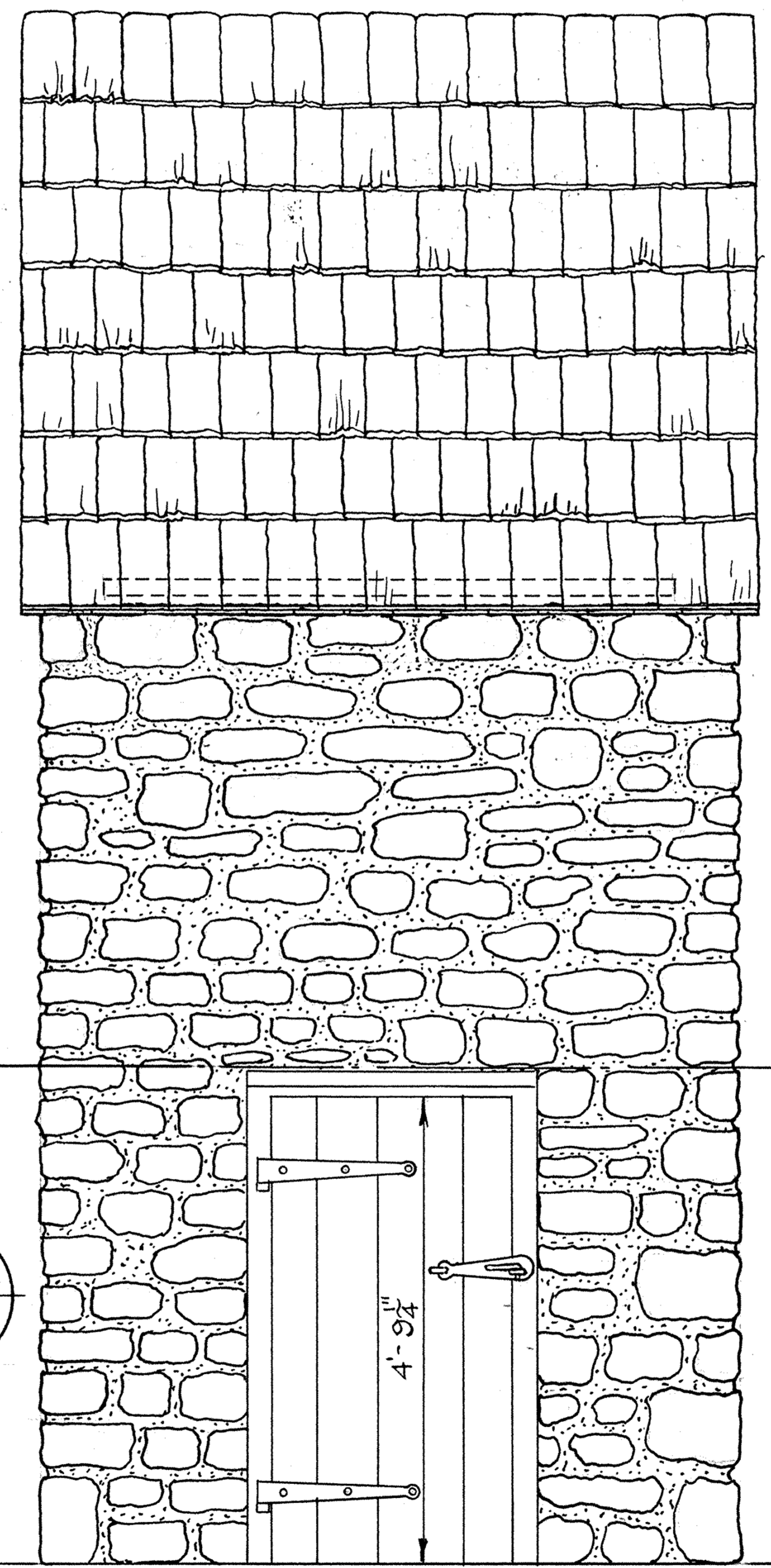


PLAN A-A

EUGENE L. HOUSER - DEL.  
 RAYMOND TYRRELL - DEL.

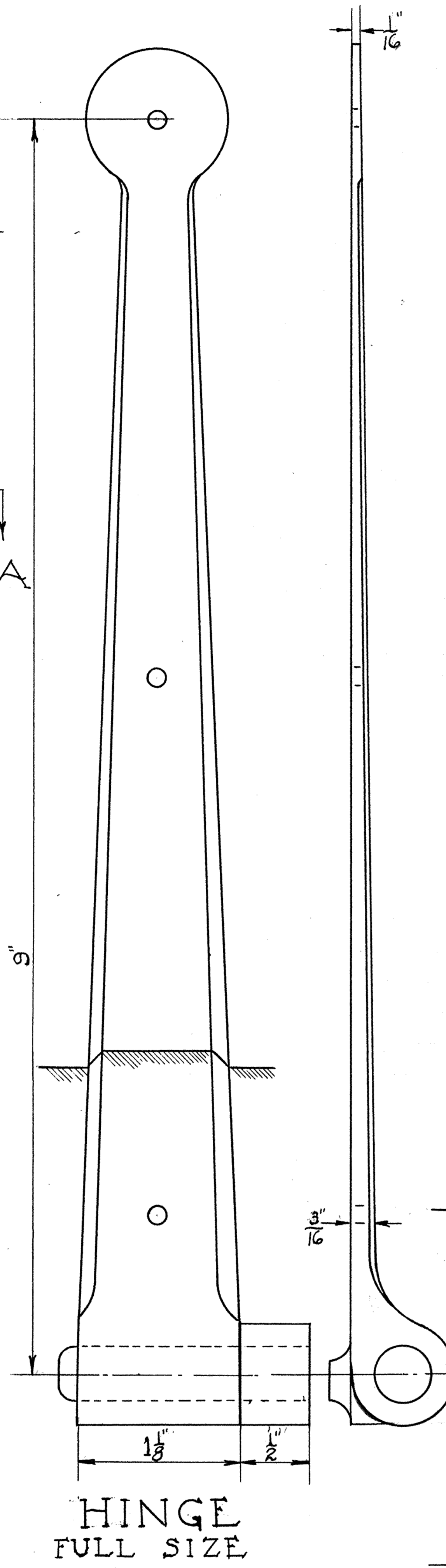


DATE STONE  
 1" TO 1"

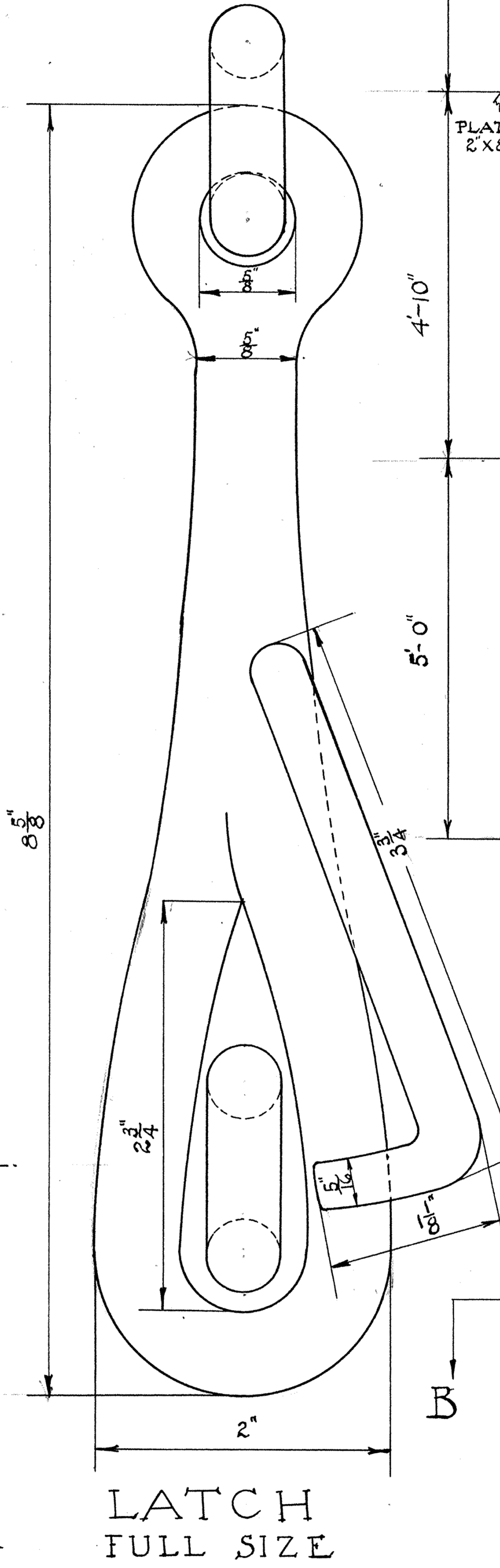


FRONT ELEVATION  
 $\frac{1}{2}$ " TO 1"

SMOKE HOUSE

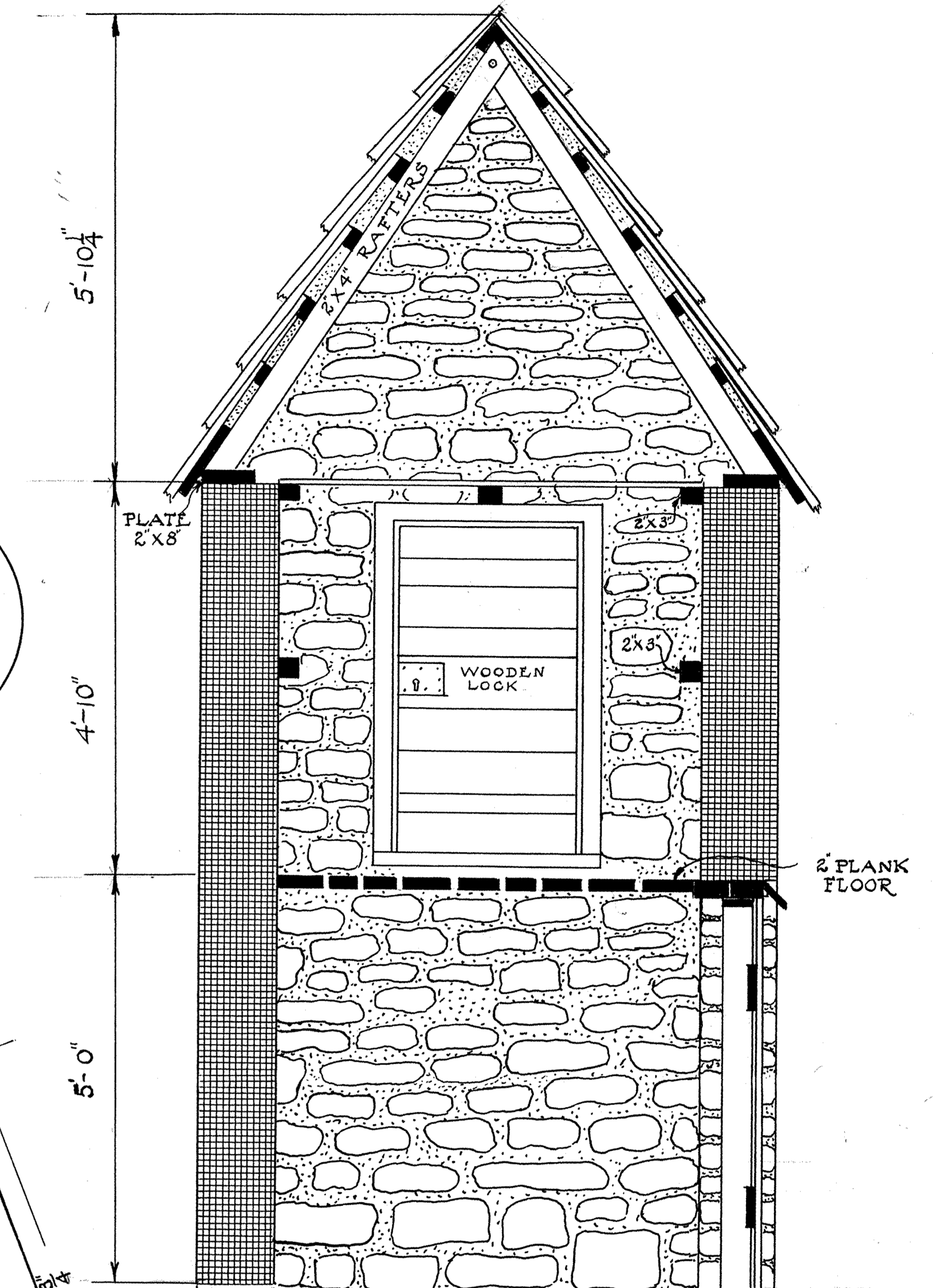


HINGE  
 FULL SIZE

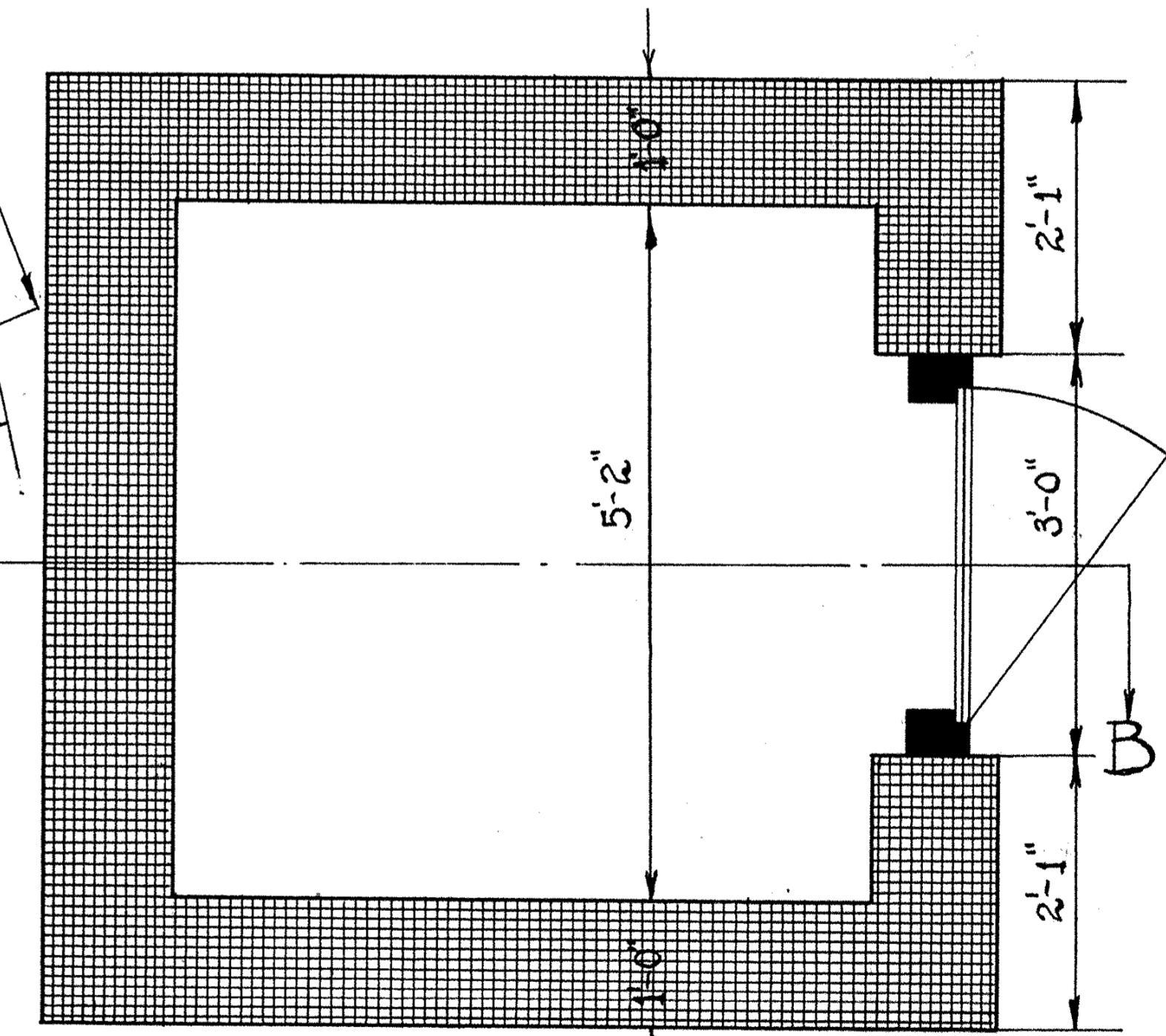


LATCH  
 FULL SIZE

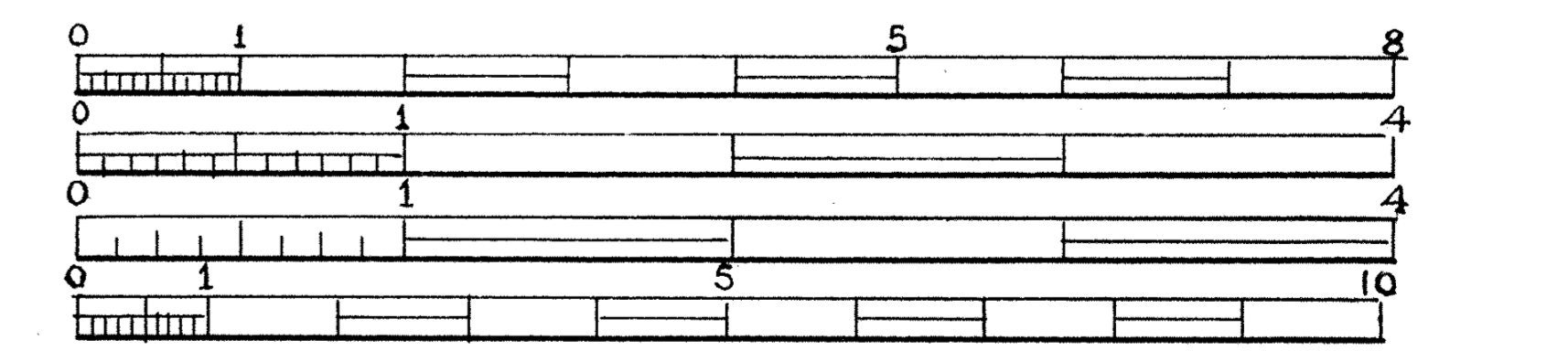
1" = 1'  
 $\frac{1}{2}$ " = 1'  
 1" = 1'  
 FULL SIZE  
 METRIC



SECTION B-B  
 $\frac{1}{2}$ " TO 1"



FIRST FLOOR PLAN



U.S. DEPARTMENT OF THE INTERIOR  
 OFFICE OF NATIONAL PARKS, BUILDINGS, AND RESERVATIONS  
 BRANCH OF PLANS AND DESIGN

NAME OF STRUCTURE  
**TALLMAN MANSION - LONG CROSSING ROAD**  
 MOORESTOWN TOWNSHIP - BURLINGTON COUNTY, N.J.



SURVEY NO.  
**6-137**

HISTORIC AMERICAN  
 BUILDINGS SURVEY  
 SHEET 1 OF 1 SHEETS

INDEX NO.  
 NJ, 3-  
 MORTO,  
 344 B