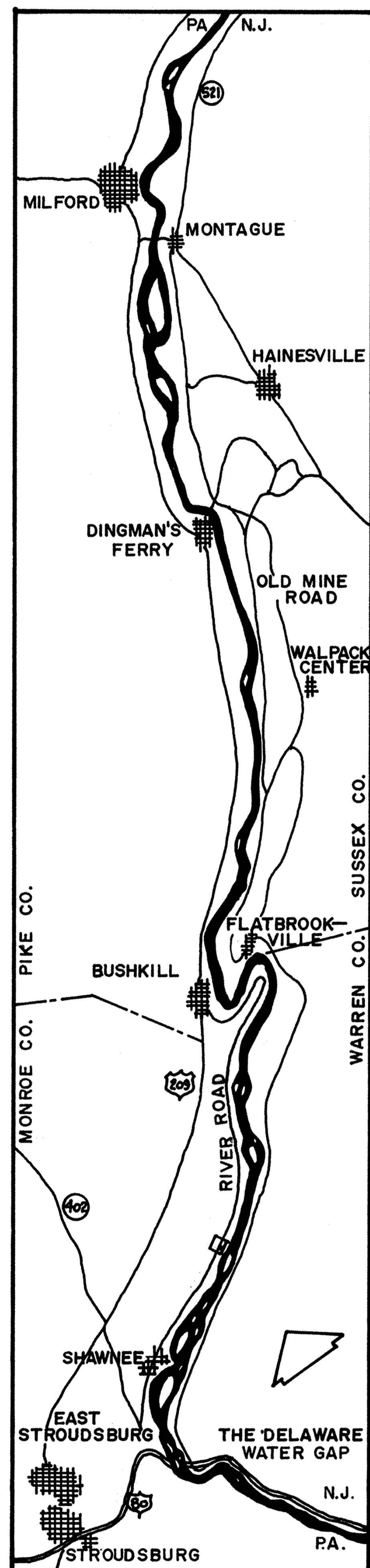


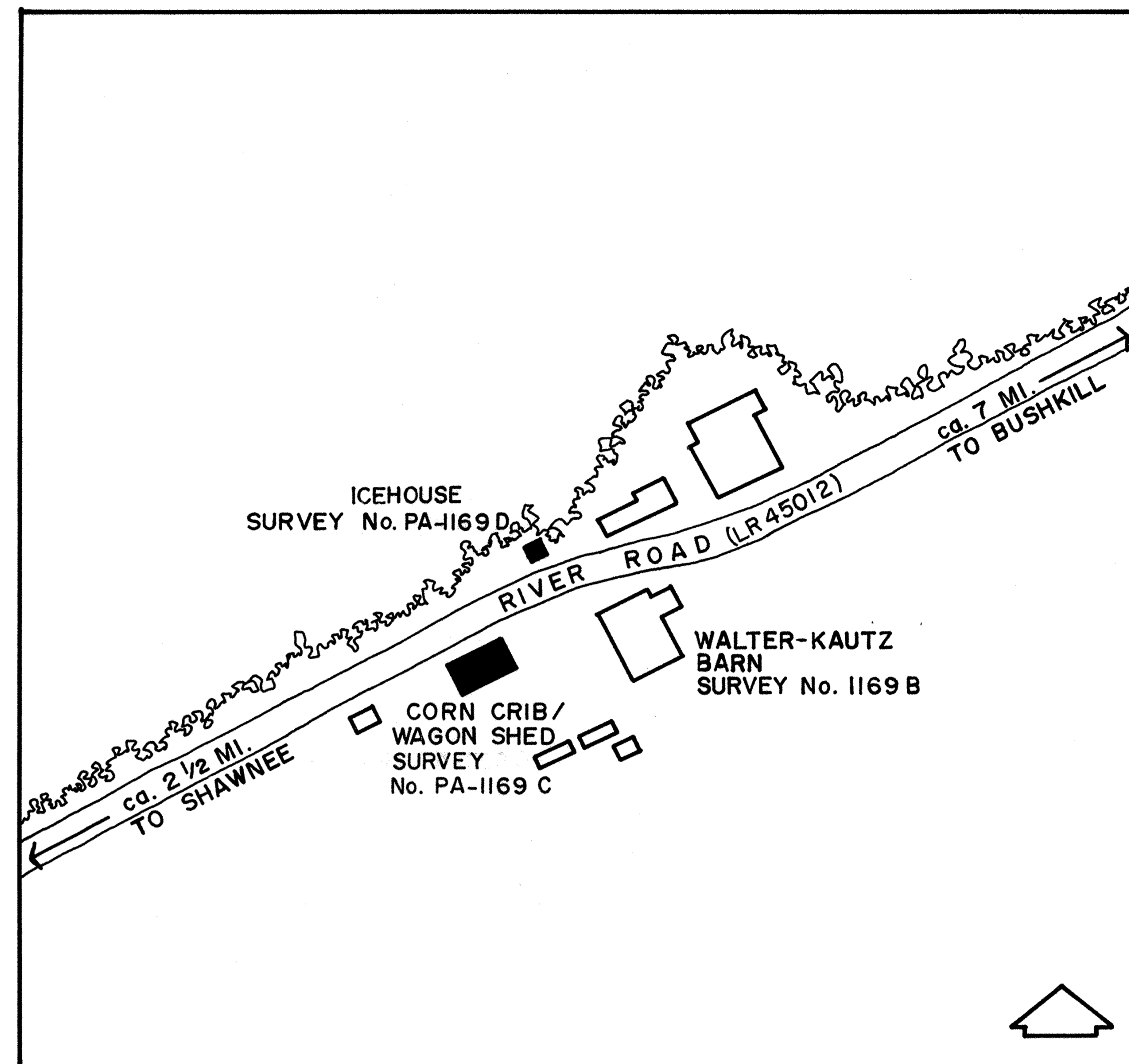
WALTER-KAUTZ CORN CRIB/WAGON SHED



DELAWARE RIVER VALLEY
 PRIOR TO CONSTRUCTION OF THE TOCK'S ISLAND RESERVOIR
 0 1 2 3 4 5
 SCALE IN MILES

THE WALTER-KAUTZ FARM BUILDINGS ARE A REPRESENTATIVE GROUP OF THE TYPE FOUND IN THE DELAWARE RIVER VALLEY. THE BUILDINGS ARE LOCATED IN THE CONSTRUCTION SITE OF THE TOCK'S ISLAND RESERVOIR PROJECT.

CORN CRIB/WAGON SHED: THE LOWER PART OF THIS BUILDING IS OPEN AND CONTAINS A BUILT-IN CORN CRIB. THE UPPER LEVEL IS ENCLOSED BY ROLLING DOORS.



LOCATION MAP

0 50 100 200 300
 SCALE IN FEET 1" = 100'

THIS PROJECT WAS UNDERTAKEN BY THE HISTORIC AMERICAN BUILDINGS SURVEY IN COOPERATION WITH THE DELAWARE WATER GAP NATIONAL RECREATION AREA, SUPERVISED BY THE NATIONAL PARK SERVICE AND FUNDED BY THE U.S. ARMY CORPS OF ENGINEERS - MEASURED AND DRAWN JULY 1968, UNDER THE DIRECTION OF JAMES C. MASSEY, CHIEF OF H.A.B.S., AND KENNETH N. CLARK (UNIVERSITY OF ARIZONA), PROJECT SUPERVISOR, BY STUDENT ASSISTANT ARCHITECTS ANDREI T. BANKS (HOWARD UNIVERSITY), GARY W. KREGER (UNIVERSITY OF VIRGINIA), AND JOHN R. NAUGHTON (UNIVERSITY OF ILLINOIS), AT THE HISTORIC AMERICAN BUILDINGS SURVEY FIELD OFFICE, BANGOR, PENNSYLVANIA, IN THE PROJECT AREA OF THE TOCK'S ISLAND RESERVOIR AND THE DELAWARE WATER GAP NATIONAL RECREATION AREA.

DRAWN BY: KENNETH N. CLARK DEL. 1968

MAPS ADAPTED FROM U.S. CORPS OF ENGINEERS MAPS

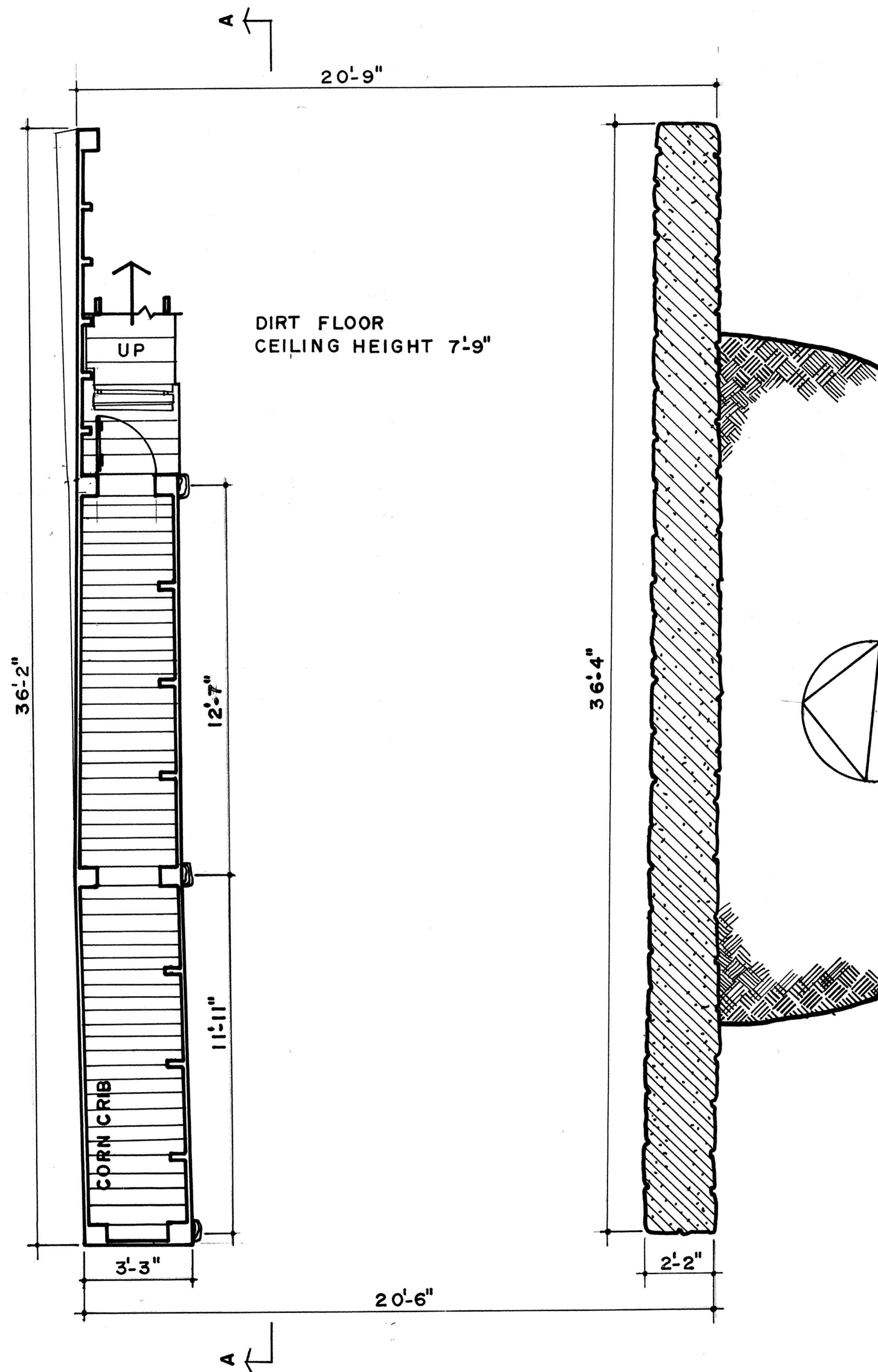
DELAWARE WATER GAP SURVEY 2
 OFFICE OF ARCHEOLOGY AND HISTORIC PRESERVATION
 UNDER DIRECTION OF THE NATIONAL PARK SERVICE,
 UNITED STATES DEPARTMENT OF THE INTERIOR

NAME AND LOCATION OF STRUCTURE
WALTER-KAUTZ CORN CRIB/WAGON SHED
 SHAWNEE ON DELAWARE VICINITY (SMITHFIELD TOWNSHIP) MONROE COUNTY PENNSYLVANIA

SURVEY NO.
 PA-
 1169-C

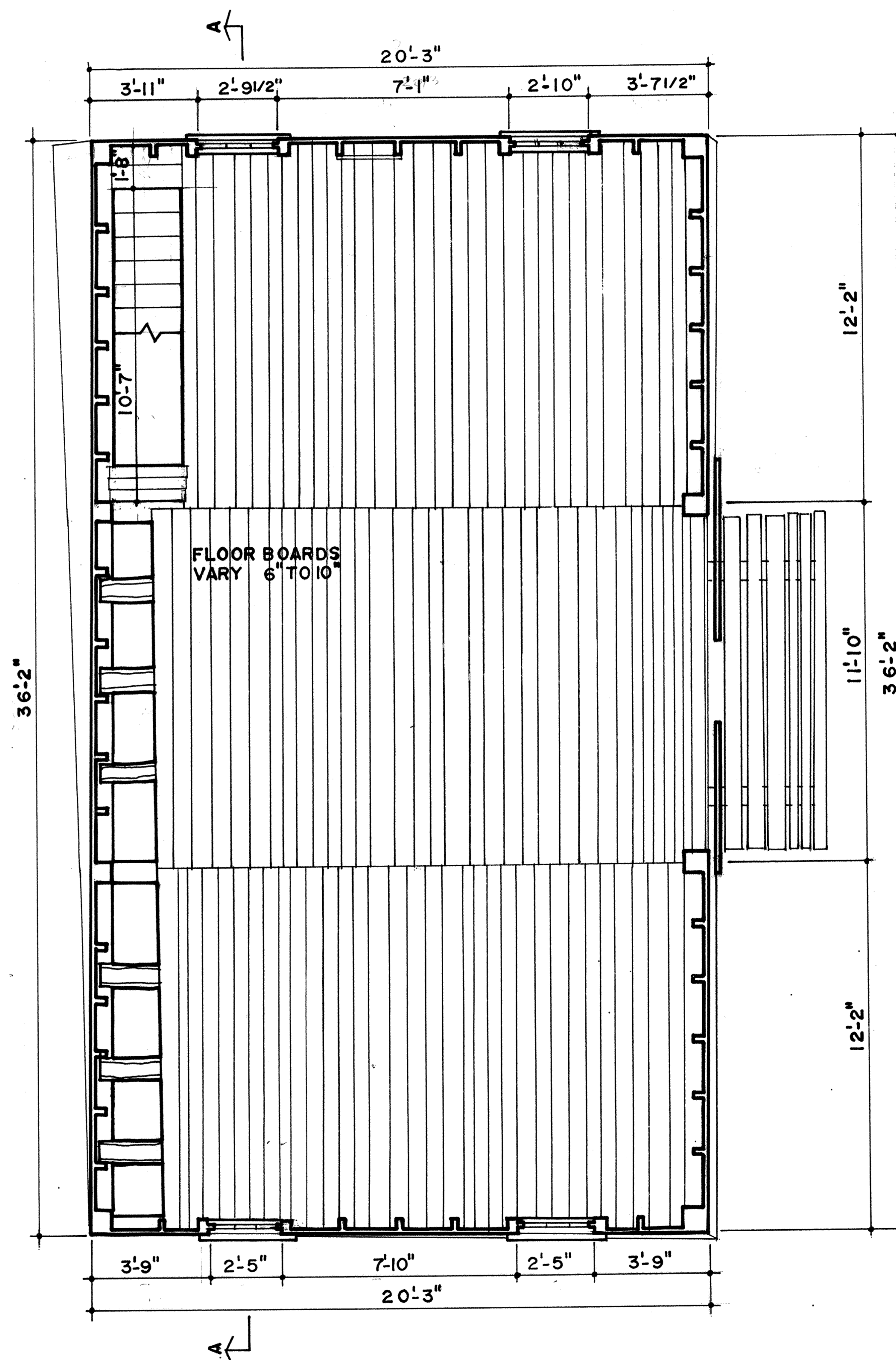
HISTORIC AMERICAN
 BUILDINGS SURVEY
 SHEET 1 OF 7 SHEETS

LIBRARY OF CONGRESS
 INDEX NUMBER



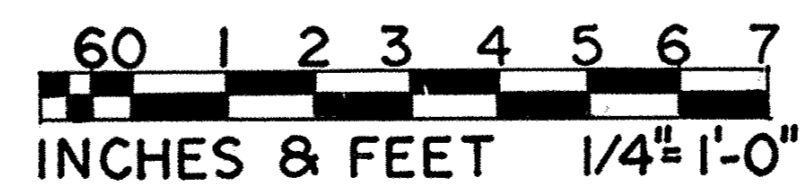
FIRST FLOOR PLAN

1/4" = 1'-0"



SECOND FLOOR PLAN

1/4" = 1'-0"



DRAWN GARY KREGER DEL. 1968

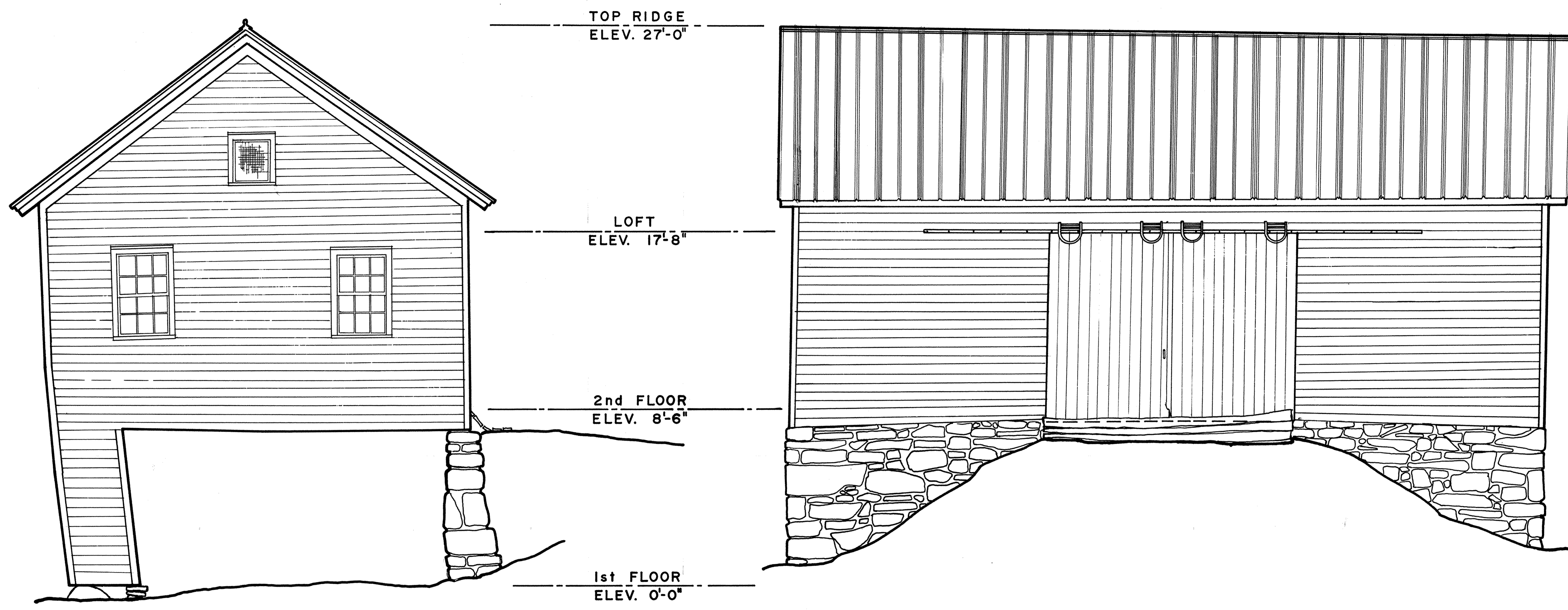
DELAWARE WATER GAP SURVEY 2
OFFICE OF ARCHEOLOGY AND HISTORIC PRESERVATION
UNDER DIRECTION OF THE NATIONAL PARK SERVICE,
UNITED STATES DEPARTMENT OF THE INTERIOR

NAME AND LOCATION OF STRUCTURE
WALTER-KAUTZ CORN CRIB/WAGON SHED
SHAWNEE ON DELAWARE VICINITY (SMITHFIELD TOWNSHIP) MONROE COUNTY PENNSYLVANIA

SURVEY NO.
PA-
1169-C

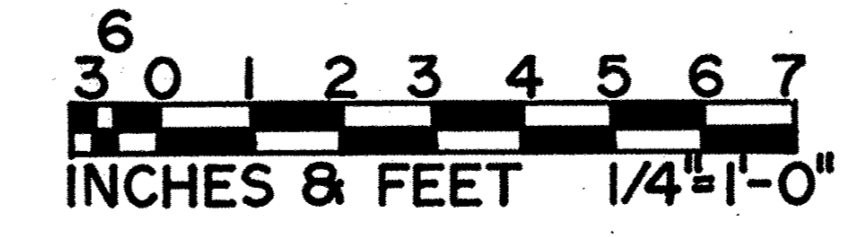
HISTORIC AMERICAN
BUILDINGS SURVEY
SHEET 2 OF 7 SHEETS

LIBRARY OF CONGRESS
INDEX NUMBER



WEST ELEVATION
1/4"=1'-0"

SOUTH ELEVATION
1/4"=1'-0"



DRAWN BY: JOHN R. NAUGHTON & KENNETH N. CLARK DEL. 1968

DELAWARE WATER GAP SURVEY 2
 OFFICE OF ARCHEOLOGY AND HISTORIC PRESERVATION
 UNDER DIRECTION OF THE NATIONAL PARK SERVICE,
 UNITED STATES DEPARTMENT OF THE INTERIOR

NAME AND LOCATION OF STRUCTURE
WALTER-KAUTZ CORN CRIB/WAGON SHED
 SHAWNEE ON DELAWARE VICINITY (SMITHFIELD TOWNSHIP) MONROE COUNTY PENNSYLVANIA

SURVEY NO.
 PA-
 1169-C

HISTORIC AMERICAN
 BUILDINGS SURVEY
 SHEET 3 OF 7 SHEETS

LIBRARY OF CONGRESS
 INDEX NUMBER

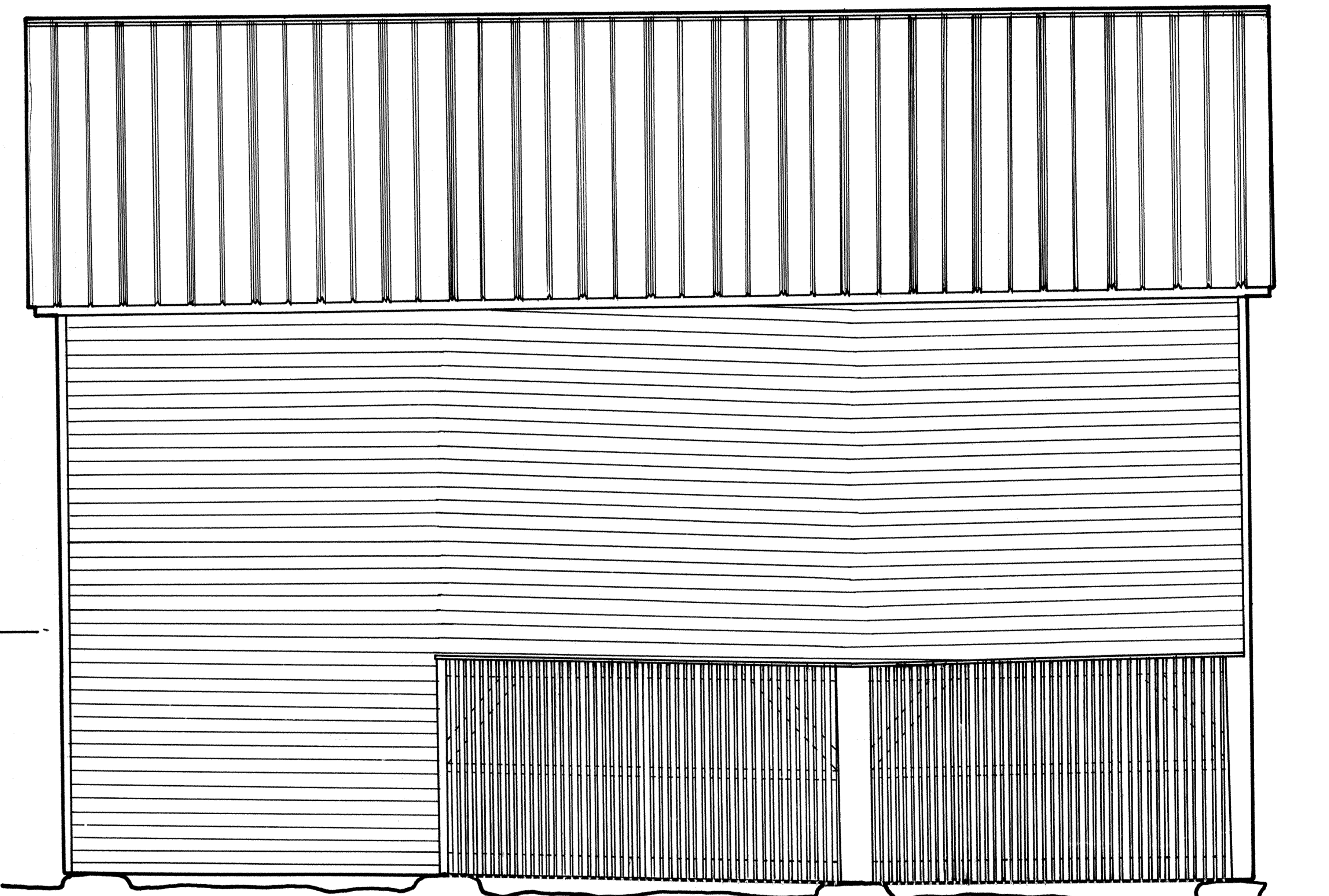


EAST ELEVATION
1/4" = 1'-0"

TOP RIDGE
ELEV. 26'10 1/2"

2nd FLOOR
ELEV. 8'-5"

1st FLOOR
ELEV. 0'-0"



NORTH ELEVATION
1/4" = 1'-0"



DRAWN BY: JOHN R. NAUGHTON & KENNETH N. CLARK DEL. 1968

DELAWARE WATER GAP SURVEY 2
OFFICE OF ARCHEOLOGY AND HISTORIC PRESERVATION
UNDER DIRECTION OF THE NATIONAL PARK SERVICE,
UNITED STATES DEPARTMENT OF THE INTERIOR

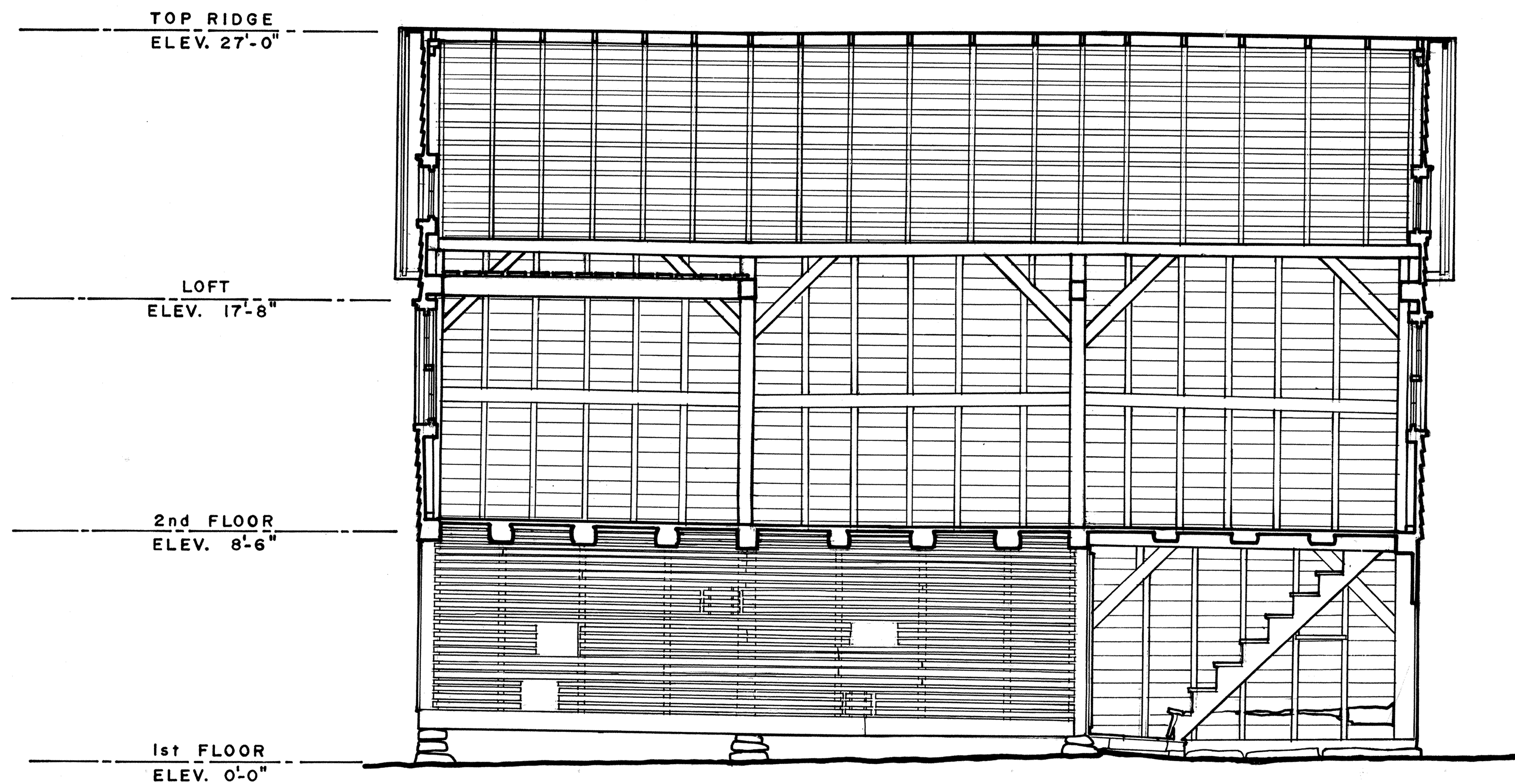
NAME AND LOCATION OF STRUCTURE

WALTER-KAUTZ CORN CRIB/WAGON SHED
SHAWNEE ON DELAWARE VICINITY (SMITHFIELD TOWNSHIP) MONROE COUNTY PENNSYLVANIA

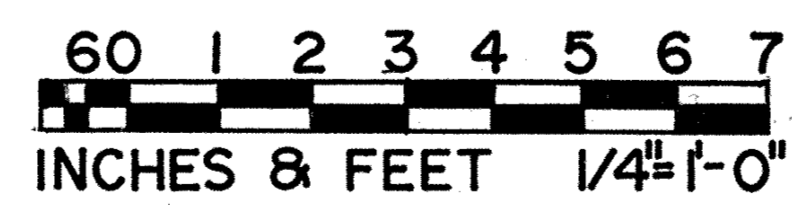
SURVEY NO.
PA -
1169-C

HISTORIC AMERICAN
BUILDINGS SURVEY
SHEET 4 OF 7 SHEETS

LIBRARY OF CONGRESS
INDEX NUMBER



SECTION A-A
 1/4"=1'-0"



DRAWN BY: GARY KREGER DEL. 1968

DELAWARE WATER GAP SURVEY 2
 OFFICE OF ARCHEOLOGY AND HISTORIC PRESERVATION
 UNDER DIRECTION OF THE NATIONAL PARK SERVICE,
 UNITED STATES DEPARTMENT OF THE INTERIOR

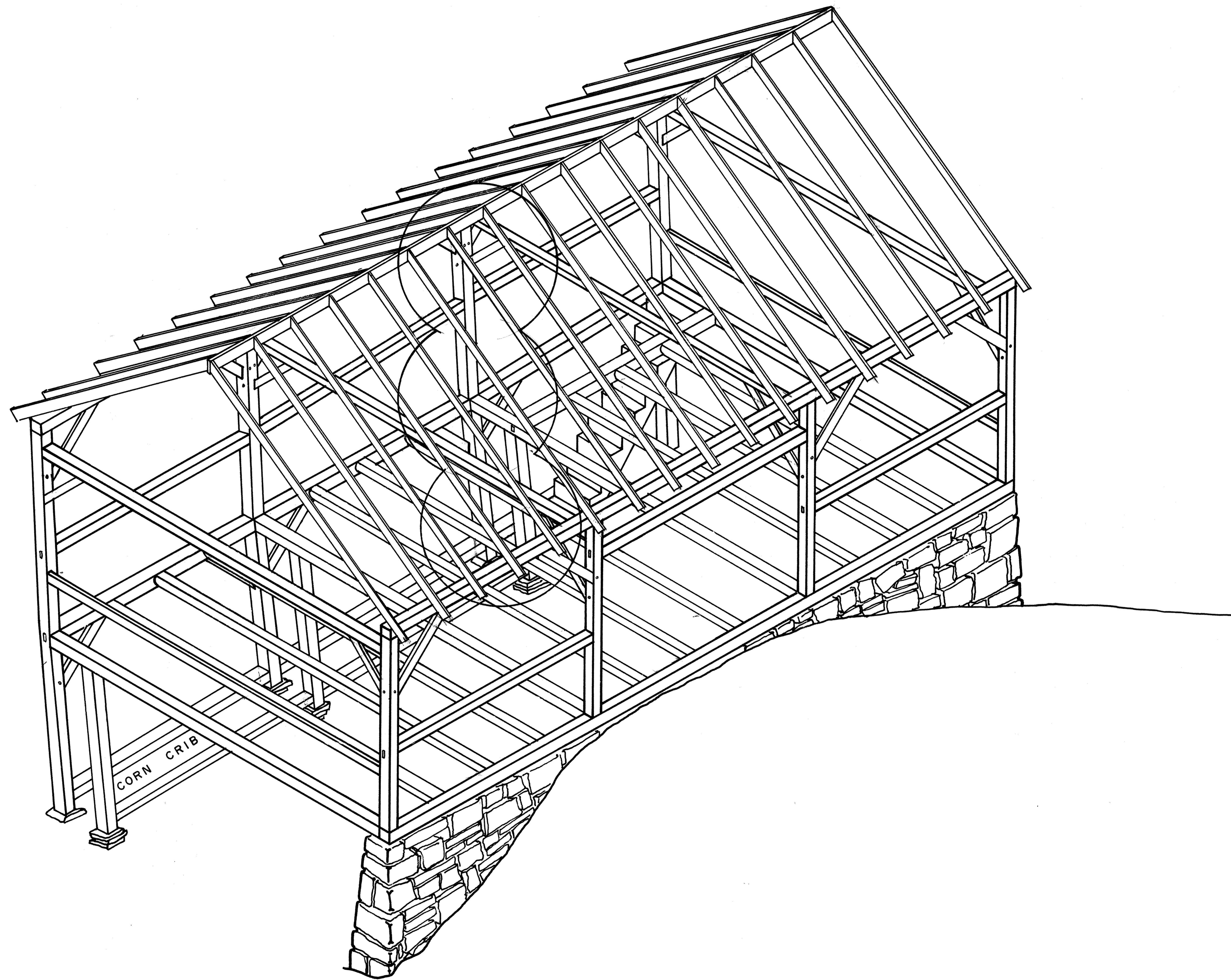
NAME AND LOCATION OF STRUCTURE

KAUTZ FARM CORN CRIB/WAGON SHED
 SHAWNEE ON DELAWARE VICINITY (SMITHFIELD TOWNSHIP) MONROE COUNTY PENNSYLVANIA

SURVEY NO.
 PA-1169 C

HISTORIC AMERICAN
 BUILDINGS SURVEY
 SHEET 5 OF 7 SHEETS

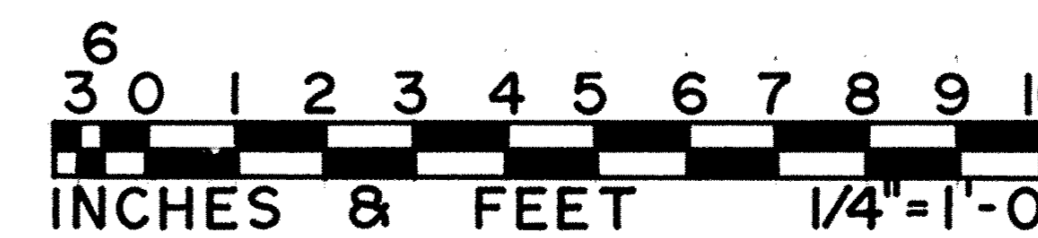
LIBRARY OF CONGRESS
 INDEX NUMBER



SEE SHEET 7 FOR CONSTRUCTION
DETAIL INDICATED ABOVE.

ISOMETRIC OF STRUCTURAL FRAMING

1/4" = 1'-0"



DRAWN BY: JOHN R. NAUGHTON DEL. 1968

DELAWARE WATER GAP SURVEY 2
OFFICE OF ARCHEOLOGY AND HISTORIC PRESERVATION
UNDER DIRECTION OF THE NATIONAL PARK SERVICE,
UNITED STATES DEPARTMENT OF THE INTERIOR

NAME AND LOCATION OF STRUCTURE

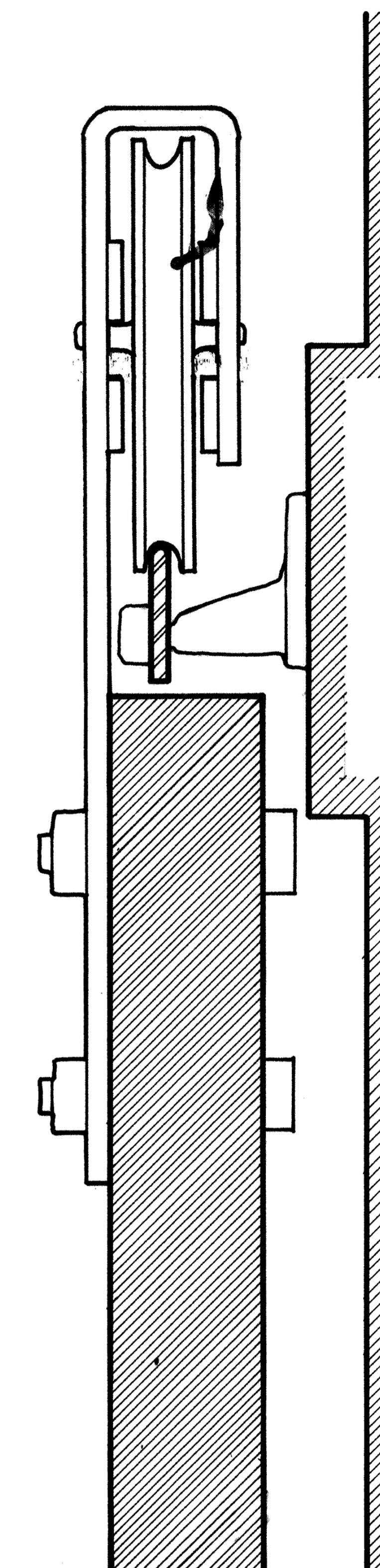
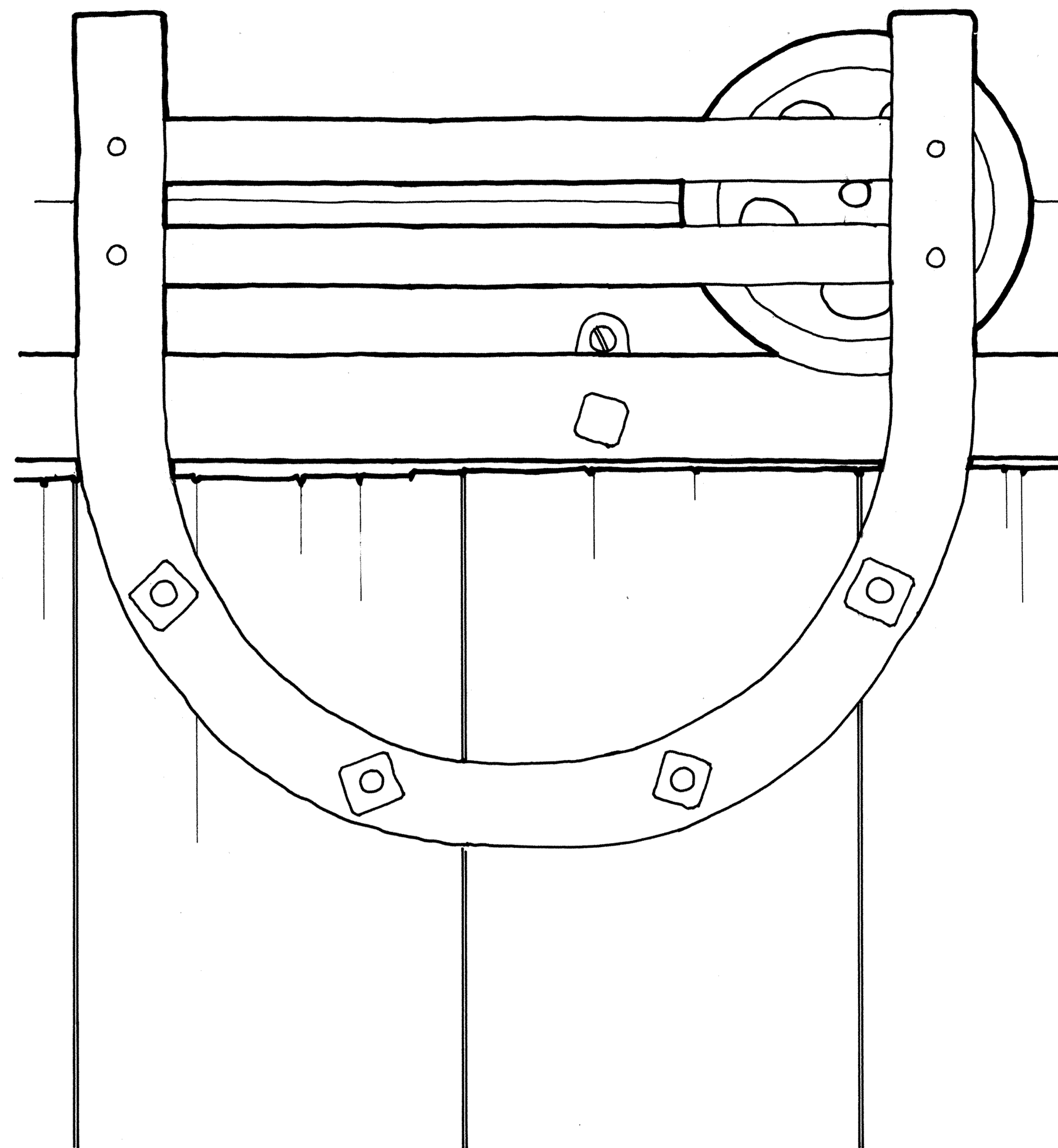
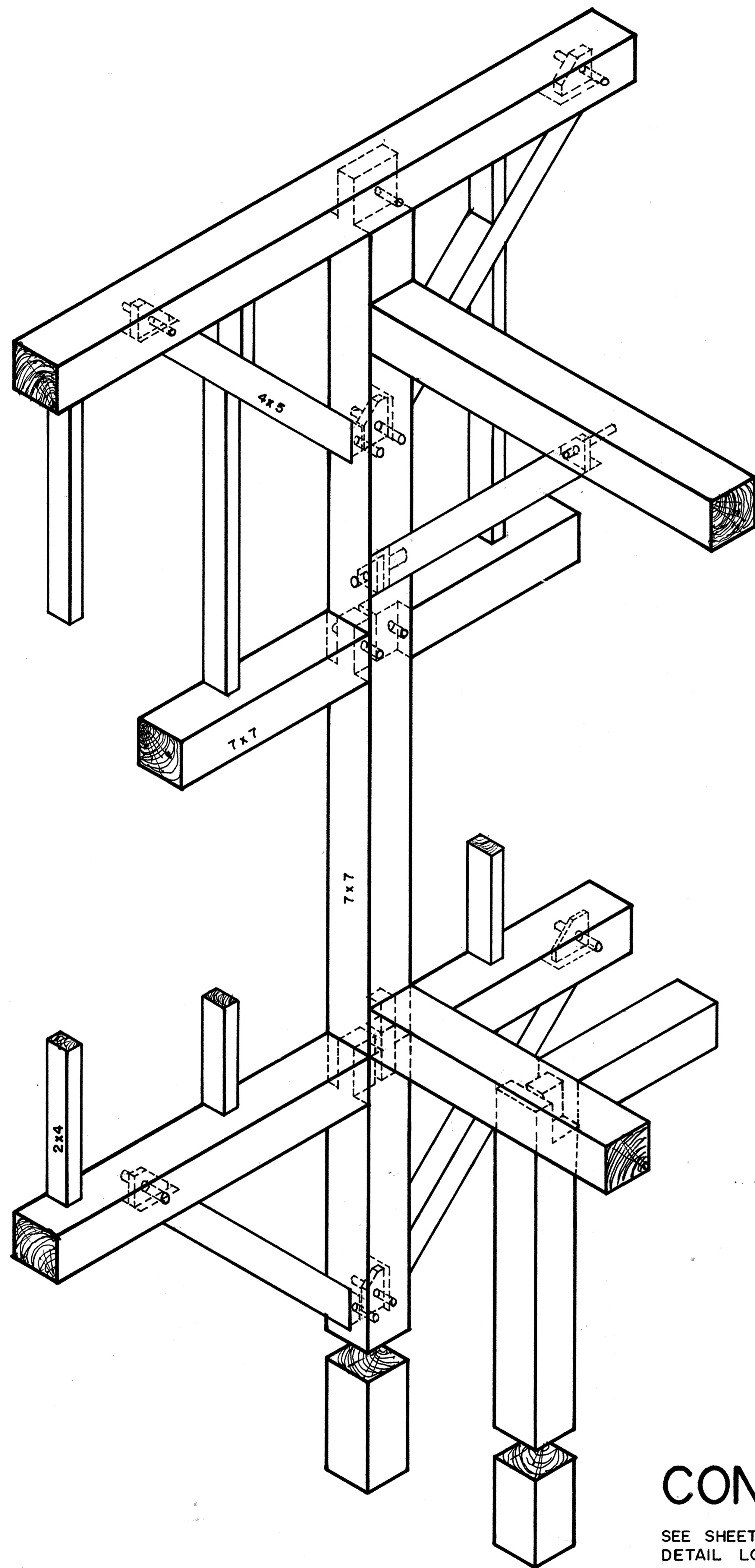
KAUTZ FARM CORN CRIB/WAGON SHED

SHAWNEE ON DELAWARE VICINITY (SMITHFIELD TOWNSHIP) MONROE COUNTY PENNSYLVANIA

SURVEY NO.
PA-1169 C

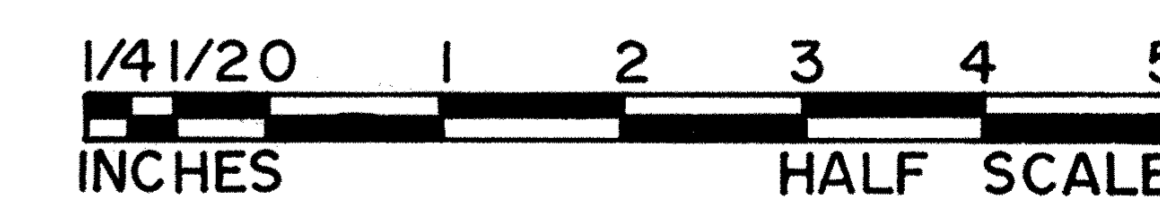
HISTORIC AMERICAN
BUILDINGS SURVEY
SHEET 6 OF 7 SHEETS

LIBRARY OF CONGRESS
INDEX NUMBER



DETAIL OF DOOR HANGER
HALF SCALE

CONSTRUCTION DETAIL
SEE SHEET 6 FOR
DETAIL LOCATION
3/4" = 1'-0"



DRAWN BY: JOHN R. NAUGHTON & KENNETH N. CLARK DEL. 1968

DELAWARE WATER GAP SURVEY 2
OFFICE OF ARCHEOLOGY AND HISTORIC PRESERVATION
UNDER DIRECTION OF THE NATIONAL PARK SERVICE,
UNITED STATES DEPARTMENT OF THE INTERIOR

NAME AND LOCATION OF STRUCTURE

KAUTZ FARM CORN CRIB/WAGON SHED
SHAWNEE ON DELAWARE VICINITY (SMITHFIELD TOWNSHIP) MONROE COUNTY PENNSYLVANIA

SURVEY NO.
PA-1169 C

HISTORIC AMERICAN
BUILDINGS SURVEY
SHEET 7 OF 7 SHEETS

LIBRARY OF CONGRESS
INDEX NUMBER